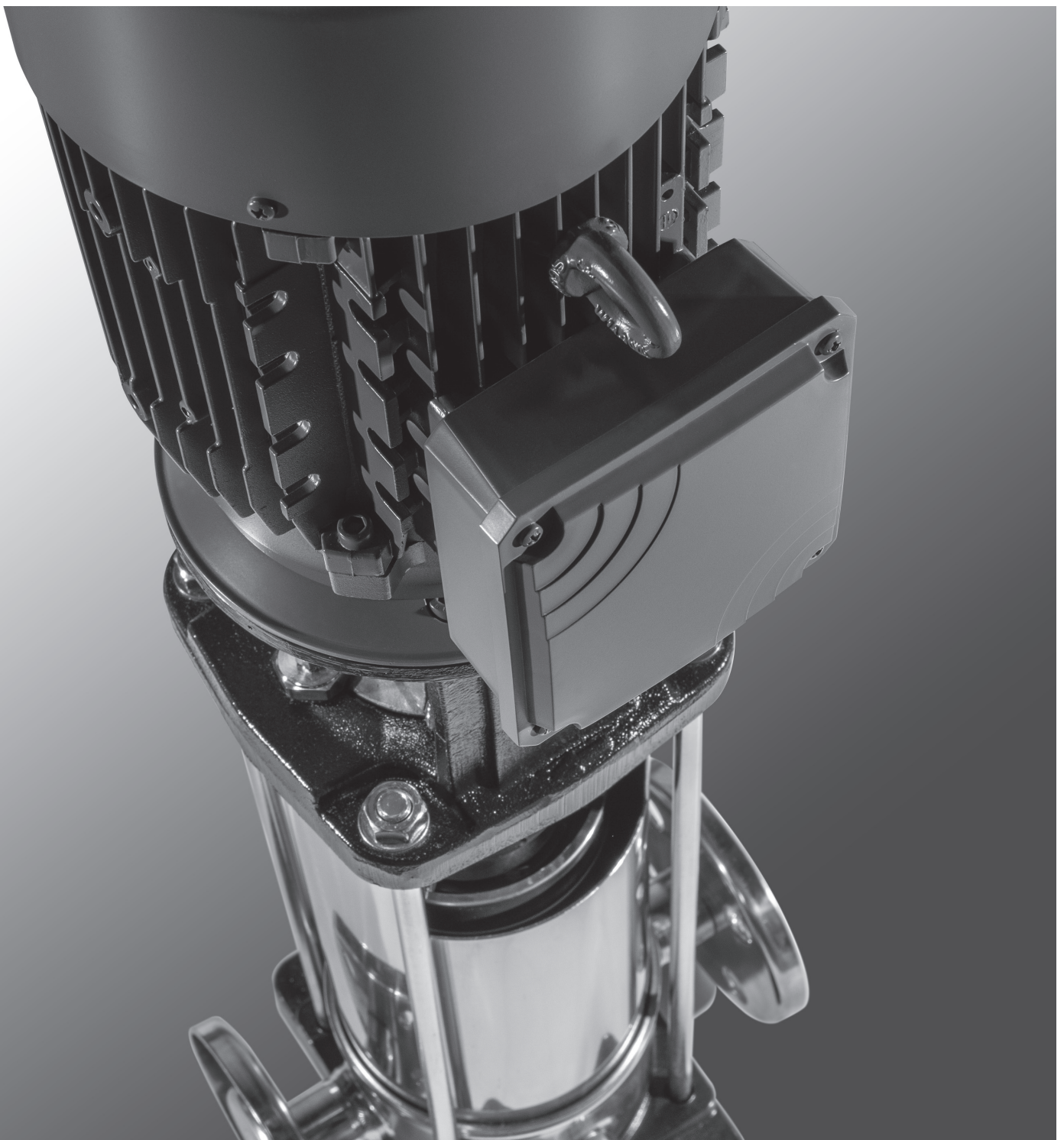


**NKV**

MULTISTAGE CENTRIFUGAL ELECTRIC PUMPS WITH VERTICAL AXIS

*60 Hz*





### TECHNICAL DATA

**Operating range :**

NKV 1-3-6-10-15-20 S: from 1 mc/h to 30 mc/h with head up to 256 m

NKV 32-45-65-95: from 1 mc/h up to 140 mc/h with head up to 284 m

**Type of pumped liquid:** Clean, free from solid or abrasive substances, non-viscous, non-aggressive, non-crystallized and chemically neutral

**Maximum percentage of glycol:** 30%

**Supported liquid temperature min. and max.:** From -30 to +120°C (EPDM)  
From -15°C to +120°C (Viton/FKM)

**Maximum ambient temperature:** +50° C

**Maximum operating pressure bar / kPa:**

NKV from 1 S to 20 S: 25 bar / 2500 kPa

NKV 32, 45: 32 bar / 3200 kPa

NKV 65, 95: 25 bar / 2500 kPa

**Degree of protection of the engine:** IP 55

**Engine insulation class:** F

**Impellers construction material:** AISI 304 stainless steel

On request X version with AISI 316 stainless steel.

**Single phase power supply (on request):** 220-230 at 60Hz up to 2,2 kW

**Three phase power supply:** 220-277/380-480 V at 60Hz up to 30 kW  
380-480 V above 30 kW

**Power cord (m) and plug:** Not provided

**Type of installation possible:** Vertical position

**Special versions available on request:**

- different types of mechanical seals (for example for aggressive liquids)
- connections (round flanges, oval, Victaulic, clamp)
- parts in contact with the liquid in stainless steel AISI 316 (versions X)
- different voltages and frequencies
- ATEX version

**Certifications:** NKV from 1 S to 20 S or X: WRAS, ACS

NKV from 32 to 95 X version: WRAS, ACS

### APPLICATIONS

NKV are AISI 304 stainless steel multi-impeller vertical centrifugal pumps with coupling; designed for pressurization, conditioning and heating in civil and commercial environments, they can also be used in agriculture and in watering systems. The pumps can be used for the recirculation of water in heating and air conditioning systems.

### CONSTRUCTION FEATURES OF THE PUMP - NKV 1-3-6-10-15-20 S

The use of advanced stainless steel processing technologies for the main hydraulic components helps to achieve very high performance levels. The pumps are also extremely versatile, thanks to the center distance of the in-line ports, designed to maximize interchangeability. The parts in contact with the liquid are made of AISI 304 stainless steel for NKV S models, or AISI 316 stainless steel for NKV X models (only available to special order). Round flanges as standard (oval, loose, virtual, clamp available on request). The mechanical seal is made of standard E1 = Graphite/Silicon Carbide/AISI 316/EPDM = BQGE. FKM/Viton available on request. Starting from 5.5 kW models, the seal can be removed without removing the motor. Rigid coupling

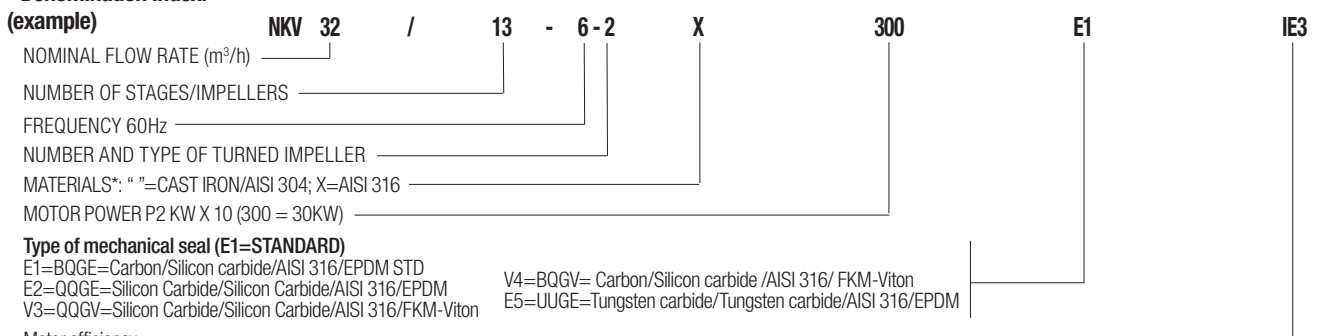
### CONSTRUCTION FEATURES OF THE PUMP - NKV 32-45-65-95

The use of advanced stainless steel processing technologies for the main hydraulic components helps to achieve very high performance levels. They are extremely versatile, thanks to the center distance of the in-line ports, designed to maximize interchangeability. Their pump body and upper flange are in cataphoretic paint coated cast iron; impellers, diffusers and pump liner made of AISI 304 stainless steel (AISI 316 stainless steel available on request - X version). Round flanges as standard (oval, loose, virtual, clamp available on request). The mechanical seal is made of standard E1 = Graphite/Silicon Carbide/AISI 316/EPDM = BQGE. FKM/Viton available on request. Starting from 5.5 kW models, the seal can be removed without removing the motor. Rigid coupling.

### CONSTRUCTION FEATURES OF THE MOTOR

Standard mechanical seal E1 (= Graphite/ Silicon Carbide/AISI 316/EPDM) and on request among the various custom seals there are also with FKM/Viton. The seal can be dismantled without removing the motor from 5.5 kW. Rigid coupling. Motor frame B14 up to 4 kW motor size and B5 from 5,5 kW motor size.

#### - Denomination index:



\*MATERIALS:

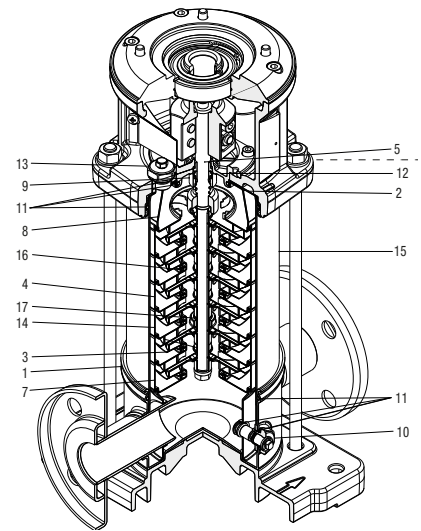
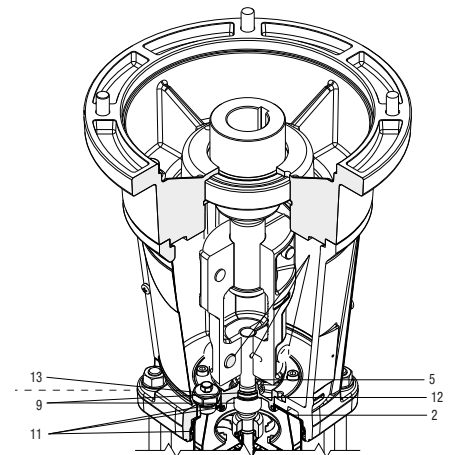
"S" version with pump body/impellers/diffusers in AISI 304 stainless steel - "X" version with pump body/impellers/diffusers in AISI 316 stainless steel

" " standard version with pump body in cast iron and impellers in AISI 304 stainless steel (for NKV 32-45-65-95)

### NKV 1-3-6-10-15-20 MATERIAL

| N° | PART                                       | MATERIAL*<br>(S VERSION - AISI 304)          | MATERIAL*<br>(X VERSION - AISI 316)          |
|----|--|--|--|
| 1  | Pump body                                  | Stainless Steel AISI 304                     | Stainless Steel AISI 316                     |
| 2  | Upper flange                               | Stainless Steel AISI 304                     | Stainless Steel AISI 316                     |
| 3  | Impeller                                   | Stainless Steel AISI 304                     | Stainless Steel AISI 316                     |
| 4  | Diffuser body and diffuser                 | Stainless Steel AISI 304                     | Stainless Steel AISI 316                     |
| 5  | Pump shaft                                 | Stainless Steel AISI 304                     | Stainless Steel AISI 316                     |
| 7  | Initial stage housing                      | Stainless Steel AISI 304                     | Stainless Steel AISI 316                     |
| 8  | Stage centering outlet                     | Stainless Steel AISI 304                     | Stainless Steel AISI 316                     |
| 9  | Mechanical seal                            | Carbon/Silicon carbide/AISI 316/<br>EPDM     | Carbon/Silicon carbide/AISI 316/<br>EPDM     |
| 10 | Discharge plug                             | Stainless Steel AISI 304                     | Stainless Steel AISI 316                     |
| 11 | O-ring                                     | EPDM   | EPDM   |
| 12 | Seal disk                                  | Stainless Steel AISI 304                     | Stainless Steel AISI 316                     |
| 13 | Filling plug                               | Stainless Steel AISI 304                     | Stainless Steel AISI 316                     |
| 14 | Stage housing and diffuser<br>with bearing | Stainless Steel AISI 304/Tungsten<br>carbide | Stainless Steel AISI 316/Tungsten<br>carbide |
| 15 | External sleeve                            | Stainless Steel AISI 304                     | Stainless Steel AISI 316                     |
| 16 | Floating wear ring                         | PPS  | PPS  |
| 17 | Intermediate bushing                       | Tungsten carbide                             | Tungsten carbide                             |

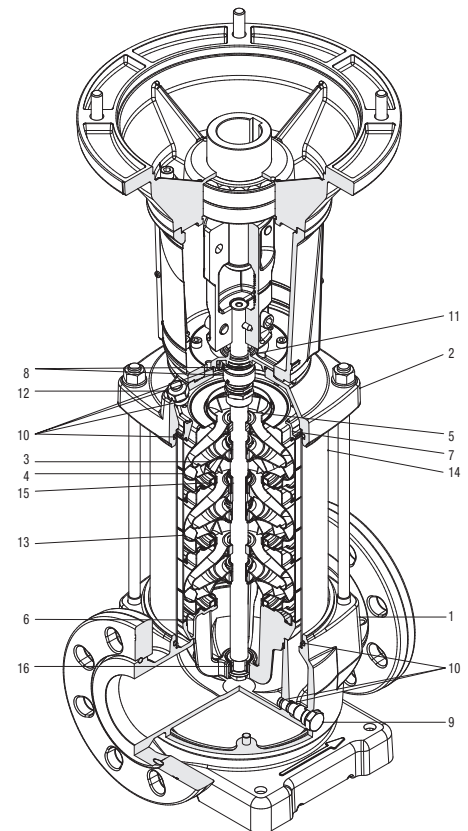
\* In contact with the liquid.



### NKV 32-45-65-95 MATERIAL

| N° | PART                                       | MATERIAL*<br>(STANDARD VERSION)              | MATERIAL*<br>(X VERSION - AISI 316)          |
|----|--|--|--|
| 1  | Pump body                                  | Cast iron with cataphoresis                  | Stainless Steel AISI 316                     |
| 2  | Upper flange                               | Stainless Steel AISI 304                     | Stainless Steel AISI 316                     |
| 3  | Impeller                                   | Stainless Steel AISI 304                     | Stainless Steel AISI 316                     |
| 4  | Diffuser body and diffuser                 | Stainless Steel AISI 304/Carbon              | Stainless Steel AISI 316/Carbon              |
| 5  | Pump shaft                                 | Stainless Steel AISI 431                     | Stainless Steel AISI 329                     |
| 6  | Stage centering inlet                      | Stainless Steel AISI 316                     | Stainless Steel AISI 316                     |
| 7  | Stage centering outlet                     | Stainless Steel AISI 304                     | Stainless Steel AISI 316                     |
| 8  | Mechanical seal                            | Carbon/Silicon carbide/AISI 316/<br>EPDM     | Carbon/Silicon carbide/AISI 316/<br>EPDM     |
| 9  | Discharge plug                             | Stainless Steel AISI 304                     | Stainless Steel AISI 316                     |
| 10 | O-ring                                     | EPDM   | EPDM   |
| 11 | Seal disk                                  | Stainless Steel AISI 304                     | Stainless Steel AISI 316                     |
| 12 | Filling plug                               | Stainless Steel AISI 304                     | Stainless Steel AISI 316                     |
| 13 | Stage housing and diffuser<br>with bearing | Stainless Steel AISI 304                     | Stainless Steel AISI 316                     |
| 14 | External sleeve                            | Stainless Steel AISI 304                     | Stainless Steel AISI 316                     |
| 15 | Floating wear ring                         | PTFE   | PTFE   |
| 16 | Intermediate bushing                       | Stainless Steel AISI 316/Tungsten<br>carbide | Stainless Steel AISI 316/Tungsten<br>carbide |

\* In contact with the liquid.



## MATERIAL TABLE SELECTION

| PUMP MODEL                                | IMPELLER / DIFFUSER | BASE      | FLANGES   |
|---|---------------------|-----------|-----------|
| NKV 32, 45, 65, 95                        | Inox 304            | Cast iron | Cast iron |
| NKV 1, 3, 6, 10, 15, 20 S                 | Inox 304            | Inox 304  | Inox 304  |
| NKV 1, 3, 6, 10, 15, 20, 32, 45, 65, 95 X | Inox 316            | Inox 316  | Inox 316  |

## LIQUID TABLE SELECTION

Type of mechanical seal (E1=STANDARD)

E1=BQGE=Carbon/Silicon carbide/AISI 316/EPDM STD

E2=QQGE=Silicon Carbide/Silicon Carbide/AISI 316/EPDM

V3=QQGV=Silicon Carbide/Silicon Carbide/AISI 316/FKM-Viton

V4=BQGV= Carbon/Silicon carbide /AISI 316/ FKM-Viton

E5=UUGE=Tungsten carbide/Tungsten carbide/AISI 316/EPDM

| LIQUID (WATER SOLUTION)        | CONCENTRATION [%] | MIN/MAX TEMPERATURE [°C] | NKV MODEL            |              |              |
|--------------------------------|-------------------|--------------------------|----------------------|--------------|--------------|
|                                |                   |                          | STANDARD (NKV 32-95) | S (NKV 1-20) | X (NKV 1-95) |
| Acetic acid                    | 10 ÷ 40           | +0/+70                   | -                    | -            | E1           |
| Citric Acid                    | 5                 | +5/+70                   | -                    | E1           | E1           |
| Hydrochloric Acid              | 2                 | +5/+25                   | -                    | -            | V3           |
| Formic Acid                    | 5                 | +5/+25                   | -                    | E1           | E1           |
| Phosphoric Acid                | 10                | +5/+30                   | -                    | -            | E1           |
| Nitric Acid                    | 40                | +5/+30                   | -                    | V3           | V3           |
| Sulfuric Acid                  | 2                 | +5/+25                   | -                    | -            | V4           |
| Tannic Acid                    | 20                | +5/+50                   | -                    | -            | E1           |
| Tartaric Acid                  | 50                | +5/+25                   | -                    | V3           | V3           |
| Deionized Water, Demineralized | 100               | +5/+110                  | E1                   | E1           | E1           |
| Sodium Bicarbonate             | 6                 | +5/+60                   | -                    | -            | E1           |
| Chloroform                     | 100               | -10/+30                  | V4                   | V4           | V4           |
| Oil In Water Emulsion          | 100               | +15/+90                  | V4                   | V4           | V4           |
| Phosphates, Polyphosphates     | 10                | +5/+90                   | -                    | V3           | V3           |
| Ethylene Glycol                | 10 ÷ 30           | -15/+120                 | -                    | E1           | E1           |
| Propylene Glycol               | 30                | -10/+100                 | V3                   | V3           | V3           |
| Sodium Hypochlorite            | 1                 | +5/+25                   | -                    | -            | V3           |
| Sodium Nitrate                 | 10                | +5/+60                   | -                    | V3           | V3           |
| Diathermic Oil                 | 100               | +90/+120                 | V4                   | V4           | V4           |
| Mineral Oil                    | 100               | +90/+120                 | V4                   | V4           | V4           |
| Vegetable Oil                  | 100               | +70/+100                 | E1                   | E1           | E1           |
| Perchloroethylene              | 100               | -10/+30                  | V4                   | V4           | V4           |
| Sodium Hydroxide               | 25                | +5/+70                   | E2                   | E2           | E2           |
| Aluminium Sulphate             | 10 ÷ 25           | +5/+50                   | -                    | -            | E2           |
| Ammonium Sulphate              | 10                | -10/+60                  | -                    | -            | E2           |
| Ferric Sulphate                | 10                | +5/+30                   | -                    | -            | E1           |
| Trichloroethylene              | 100               | -10/+40                  | V4                   | V4           | V4           |

For use with sea water, please consult the technical office. This table should be considered a general guide.

It is important to consider the specific operating conditions, in particular the concentration in the pumped liquid, the specific weight and/or the viscosity, the temperature of the liquid and its pressure.

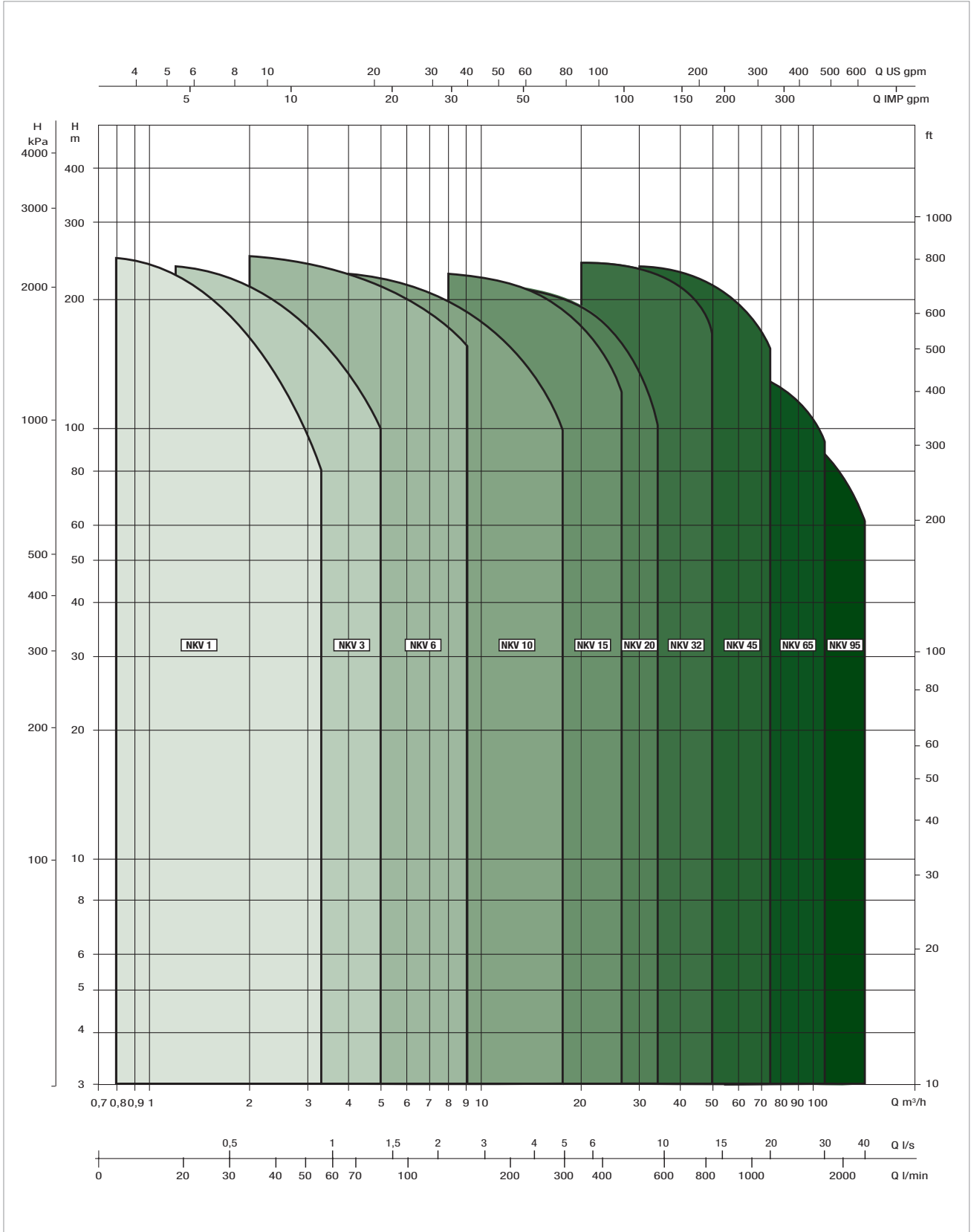
All these conditions are essential for engine and pump performance.

When pumping hazardous liquids, it is recommended to take safety precautions. You can contact us for more information.

### PERFORMANCE RANGE

The performance curves are based on the kinematic viscosity values = 1 mm<sup>2</sup>/s and density equal to 1000 kg/m<sup>3</sup>. Curve tolerance according to ISO 9906.

### GRAPHICAL SELECTION TABLE





### SELECTION TABLE - NKV 1

| MODEL        | STAGE N° | Q=m³/h   | 0     | 0,5   | 1     | 1,5   | 2     | 2,5   | 3     | 3,5  |
|--------------|----------|----------|-------|-------|-------|-------|-------|-------|-------|------|
|              |          | Q=l/min  | 0     | 8,3   | 16,7  | 25    | 33,3  | 42    | 50    | 58,3 |
| NKV 1/2 6 S  | 2        | H<br>(m) | 19,5  | 19,0  | 18,0  | 16,5  | 15,0  | 12,5  | 10,0  | 6,5  |
| NKV 1/3 6 S  | 3        |          | 29,0  | 28,0  | 26,5  | 24,5  | 21,5  | 18,0  | 14,0  | 9,0  |
| NKV 1/4 6 S  | 4        |          | 38,5  | 37,0  | 34,5  | 31,5  | 28,0  | 23,5  | 17,5  | 11,0 |
| NKV 1/5 6 S  | 5        |          | 49,0  | 47,0  | 44,0  | 40,5  | 35,5  | 30,0  | 23,0  | 14,5 |
| NKV 1/6 6 S  | 6        |          | 58,0  | 55,5  | 52,0  | 47,5  | 41,5  | 34,5  | 26,0  | 16,0 |
| NKV 1/7 6 S  | 7        |          | 70,5  | 68,0  | 64,5  | 59,5  | 53,0  | 45,0  | 35,0  | 23,0 |
| NKV 1/8 6 S  | 8        |          | 80,0  | 77,5  | 73,0  | 67,0  | 59,5  | 50,5  | 39,0  | 26,0 |
| NKV 1/9 6 S  | 9        |          | 91,0  | 88,0  | 83,5  | 77,0  | 69,0  | 58,5  | 46,0  | 31,0 |
| NKV 1/10 6 S | 10       |          | 101,0 | 97,5  | 92,5  | 85,0  | 76,0  | 64,5  | 50,5  | 33,5 |
| NKV 1/11 6 S | 11       |          | 110,5 | 107,0 | 101,0 | 93,0  | 83,0  | 70,5  | 55,0  | 36,5 |
| NKV 1/12 6 S | 12       |          | 120,0 | 116,0 | 109,5 | 101,0 | 90,0  | 76,0  | 59,0  | 39,0 |
| NKV 1/13 6 S | 13       |          | 132,0 | 127,5 | 121,0 | 112,0 | 100,0 | 85,0  | 67,0  | 45,0 |
| NKV 1/14 6 S | 14       |          | 141,5 | 137,0 | 129,5 | 120,0 | 107,0 | 91,0  | 71,5  | 47,5 |
| NKV 1/15 6 S | 15       |          | 151,5 | 146,5 | 138,5 | 128,0 | 114,0 | 97,0  | 76,0  | 50,5 |
| NKV 1/17 6 S | 17       |          | 173,0 | 168,0 | 159,5 | 147,5 | 132,0 | 113,0 | 89,0  | 60,0 |
| NKV 1/19 6 S | 19       |          | 193,0 | 187,0 | 177,0 | 164,0 | 147,0 | 125,0 | 98,5  | 66,0 |
| NKV 1/22 6 S | 22       |          | 222,5 | 215,5 | 204,0 | 188,5 | 168,0 | 143,0 | 112,0 | 75,0 |
| NKV 1/25 6 S | 25       | 256,0    | 248,0 | 236,0 | 219,0 | 196,5 | 168,0 | 132,5 | 90,0  |      |

### SELECTION TABLE - NKV 3

| MODEL        | STAGE N° | Q=m³/h   | 0     | 1     | 1,5   | 2     | 2,5   | 3     | 3,5   | 4     | 4,5   | 5     | 5,5  | 6    | 6,5   |
|--------------|----------|----------|-------|-------|-------|-------|-------|-------|-------|-------|-------|-------|------|------|-------|
|              |          | Q=l/min  | 0     | 16,7  | 25    | 33,3  | 42    | 50    | 58,3  | 67    | 75    | 83,3  | 92   | 100  | 108,3 |
| NKV 3/2 6 S  | 2        | H<br>(m) | 21,0  | 20,5  | 20,0  | 19,5  | 18,5  | 17,5  | 16,0  | 14,5  | 12,5  | 10,0  | 7,5  | 4,5  | 2,0   |
| NKV 3/3 6 S  | 3        |          | 32,0  | 31,0  | 30,0  | 29,0  | 27,5  | 26,0  | 24,0  | 21,5  | 18,5  | 15,0  | 11,0 | 7,0  | 3,0   |
| NKV 3/4 6 S  | 4        |          | 42,0  | 40,5  | 39,0  | 37,5  | 35,5  | 33,0  | 30,5  | 27,0  | 23,0  | 18,0  | 13,0 | 8,0  | 2,5   |
| NKV 3/5 6 S  | 5        |          | 54,0  | 53,0  | 51,5  | 50,0  | 47,5  | 45,0  | 41,5  | 37,5  | 32,5  | 27,0  | 20,5 | 13,5 | 6,5   |
| NKV 3/6 6 S  | 6        |          | 65,5  | 64,0  | 62,5  | 60,5  | 58,0  | 55,0  | 51,0  | 46,5  | 40,5  | 33,5  | 25,5 | 17,5 | 9,0   |
| NKV 3/7 6 S  | 7        |          | 76,0  | 74,5  | 72,5  | 70,0  | 67,0  | 63,5  | 59,0  | 53,0  | 46,5  | 38,0  | 29,0 | 19,5 | 9,5   |
| NKV 3/8 6 S  | 8        |          | 87,5  | 86,0  | 84,0  | 81,5  | 78,0  | 74,0  | 69,0  | 62,5  | 54,5  | 45,5  | 35,0 | 24,0 | 12,5  |
| NKV 3/9 6 S  | 9        |          | 98,5  | 96,5  | 94,0  | 91,0  | 87,5  | 82,5  | 76,5  | 69,5  | 61,0  | 50,5  | 38,5 | 26,0 | 13,5  |
| NKV 3/10 6 S | 10       |          | 109,0 | 106,5 | 104,0 | 100,5 | 96,5  | 91,0  | 84,5  | 76,5  | 66,5  | 55,0  | 42,0 | 28,0 | 14,0  |
| NKV 3/11 6 S | 11       |          | 121,0 | 118,5 | 116,0 | 112,5 | 108,0 | 102,5 | 95,5  | 86,5  | 76,0  | 63,5  | 49,0 | 33,5 | 18,0  |
| NKV 3/12 6 S | 12       |          | 131,5 | 129,0 | 126,5 | 122,5 | 117,5 | 111,5 | 103,5 | 94,0  | 82,5  | 68,5  | 52,5 | 36,0 | 19,0  |
| NKV 3/13 6 S | 13       |          | 142,5 | 139,5 | 136,5 | 132,0 | 126,5 | 120,0 | 111,5 | 101,0 | 88,5  | 73,5  | 56,5 | 38,5 | 20,0  |
| NKV 3/14 6 S | 14       |          | 153,0 | 150,0 | 146,5 | 142,0 | 136,0 | 128,5 | 119,5 | 108,0 | 94,5  | 78,5  | 60,0 | 40,5 | 21,0  |
| NKV 3/15 6 S | 15       |          | 165,5 | 163,0 | 159,5 | 155,0 | 149,0 | 141,5 | 132,0 | 120,0 | 106,0 | 88,5  | 69,0 | 48,0 | 26,5  |
| NKV 3/16 6 S | 16       |          | 176,5 | 173,5 | 170,0 | 165,0 | 158,5 | 150,5 | 140,5 | 127,5 | 112,5 | 94,0  | 73,0 | 50,5 | 28,0  |
| NKV 3/17 6 S | 17       |          | 187,5 | 184,0 | 180,5 | 175,0 | 168,0 | 159,5 | 148,5 | 135,0 | 119,0 | 99,0  | 77,0 | 53,0 | 29,0  |
| NKV 3/18 6 S | 18       |          | 198,0 | 194,5 | 190,5 | 185,0 | 177,5 | 168,5 | 157,0 | 142,5 | 125,0 | 104,5 | 81,0 | 55,5 | 30,0  |
| NKV 3/19 6 S | 19       | 209,0    | 205,0 | 201,0 | 195,0 | 187,0 | 177,0 | 165,0 | 150,0 | 131,5 | 109,5 | 84,5  | 58,0 | 31,5 |       |
| NKV 3/21 6 S | 21       | 232,0    | 228,5 | 224,0 | 218,0 | 209,5 | 199,0 | 186,0 | 169,5 | 149,5 | 125,0 | 97,5  | 68,0 | 38,0 |       |
| NKV 3/23 6 S | 23       | 254,0    | 250,0 | 245,0 | 238,0 | 229,0 | 217,5 | 203,0 | 184,5 | 162,5 | 136,0 | 106,0 | 73,5 | 41,0 |       |

### SELECTION TABLE - NKV 6

| MODEL          | STAGE N° | H (m)   |       |       |       |       |       |       |       |       |       |       |       |       |       |  |
|----------------|----------|---------|-------|-------|-------|-------|-------|-------|-------|-------|-------|-------|-------|-------|-------|--|
|                |          | Q=m³/h  | 0     | 3     | 3,5   | 4     | 4,5   | 5     | 5,5   | 6     | 7     | 8     | 9     | 9,5   | 10    |  |
|                |          | Q=l/min | 0     | 50    | 58,3  | 67    | 75    | 83,3  | 92    | 100   | 117   | 133,3 | 150   | 158   | 166,7 |  |
| NKV 6/2 T IE3  | 2        |         | 21,5  | 19,5  | 19,0  | 18,5  | 17,5  | 17,0  | 16,0  | 15,5  | 14,0  | 11,5  | 9,0   | 7,5   | 5,5   |  |
| NKV 6/3 T IE3  | 3        |         | 32,5  | 30,5  | 29,5  | 28,5  | 27,5  | 26,5  | 25,5  | 24,5  | 22,0  | 19,0  | 14,5  | 12,0  | 10,0  |  |
| NKV 6/4 T IE3  | 4        |         | 43,5  | 41,0  | 40,0  | 38,5  | 37,0  | 36,0  | 34,5  | 33,0  | 29,5  | 25,5  | 20,0  | 16,5  | 13,5  |  |
| NKV 6/5 T IE3  | 5        |         | 54,0  | 50,5  | 49,0  | 47,5  | 46,0  | 44,0  | 42,0  | 40,5  | 36,5  | 31,0  | 24,0  | 20,0  | 16,0  |  |
| NKV 6/6 T IE3  | 6        |         | 65,5  | 61,5  | 59,5  | 58,0  | 56,0  | 54,0  | 51,5  | 49,5  | 44,5  | 38,0  | 30,0  | 25,0  | 20,0  |  |
| NKV 6/7 T IE3  | 7        |         | 76,0  | 71,0  | 69,0  | 67,0  | 64,5  | 62,0  | 59,5  | 57,0  | 51,5  | 43,5  | 34,0  | 28,5  | 23,0  |  |
| NKV 6/8 T IE3  | 8        |         | 87,5  | 82,5  | 80,5  | 78,0  | 75,0  | 72,5  | 69,5  | 67,0  | 60,5  | 52,0  | 40,5  | 34,5  | 28,0  |  |
| NKV 6/9 T IE3  | 9        |         | 98,0  | 92,0  | 90,0  | 87,0  | 84,0  | 81,0  | 77,5  | 74,5  | 67,0  | 57,5  | 45,0  | 38,0  | 30,5  |  |
| NKV 6/10 T IE3 | 10       |         | 109,0 | 102,0 | 99,0  | 96,0  | 92,5  | 89,5  | 85,5  | 82,0  | 74,0  | 63,0  | 49,5  | 41,5  | 33,5  |  |
| NKV 6/11 T IE3 | 11       |         | 121,0 | 114,5 | 111,5 | 108,5 | 105,0 | 101,0 | 97,0  | 93,0  | 84,5  | 72,5  | 57,5  | 49,0  | 39,5  |  |
| NKV 6/12 T IE3 | 12       |         | 132,0 | 124,5 | 121,5 | 117,5 | 114,0 | 110,0 | 105,5 | 101,0 | 91,5  | 79,0  | 62,0  | 52,5  | 42,5  |  |
| NKV 6/13 T IE3 | 13       |         | 142,5 | 134,5 | 131,0 | 127,0 | 123,0 | 118,5 | 114,0 | 109,0 | 98,5  | 84,5  | 66,5  | 56,5  | 45,5  |  |
| NKV 6/14 T IE3 | 14       |         | 154,0 | 144,0 | 140,5 | 136,5 | 132,5 | 128,0 | 123,5 | 118,0 | 105,5 | 90,0  | 71,0  | 60,0  | 48,5  |  |
| NKV 6/15 T IE3 | 15       |         | 165,5 | 156,0 | 152,5 | 149,0 | 144,5 | 140,0 | 135,0 | 129,5 | 116,0 | 99,5  | 79,0  | 67,5  | 55,0  |  |
| NKV 6/16 T IE3 | 16       |         | 176,5 | 166,5 | 162,5 | 158,5 | 154,0 | 149,0 | 143,5 | 137,5 | 123,5 | 105,5 | 83,5  | 71,5  | 58,5  |  |
| NKV 6/17 T IE3 | 17       |         | 187,5 | 176,5 | 172,5 | 168,0 | 163,0 | 158,0 | 152,0 | 145,5 | 130,5 | 111,5 | 88,5  | 75,5  | 61,5  |  |
| NKV 6/18 T IE3 | 18       |         | 198,5 | 186,5 | 182,0 | 177,5 | 172,0 | 166,5 | 160,5 | 153,5 | 137,5 | 117,5 | 93,0  | 79,0  | 64,5  |  |
| NKV 6/19 T IE3 | 19       |         | 210,5 | 198,0 | 193,5 | 188,5 | 183,0 | 177,5 | 171,0 | 164,0 | 147,0 | 126,0 | 100,0 | 85,5  | 70,0  |  |
| NKV 6/20 T IE3 | 20       |         | 221,5 | 208,0 | 203,5 | 198,0 | 192,5 | 186,5 | 179,5 | 172,0 | 154,5 | 132,0 | 105,0 | 89,5  | 73,0  |  |
| NKV 6/21 T IE3 | 21       |         | 232,0 | 218,0 | 213,0 | 207,5 | 201,5 | 195,0 | 188,0 | 180,5 | 161,5 | 138,5 | 109,5 | 93,5  | 76,5  |  |
| NKV 6/23 T IE3 | 23       |         | 254,0 | 238,0 | 232,5 | 226,5 | 220,0 | 213,0 | 205,0 | 196,5 | 176,0 | 150,5 | 119,0 | 101,5 | 82,5  |  |

### SELECTION TABLE - NKV 10

| MODEL         | STAGE N° | H (m)   |       |       |       |       |       |       |       |       |       |       |       |       |       |
|---------------|----------|---------|-------|-------|-------|-------|-------|-------|-------|-------|-------|-------|-------|-------|-------|
|               |          | Q=m³/h  | 0     | 3     | 5     | 7     | 9     | 10    | 11    | 12    | 13    | 14    | 15    | 16    | 17    |
|               |          | Q=l/min | 0     | 50    | 83,3  | 117   | 150   | 166,7 | 183   | 200   | 216,7 | 233   | 250   | 267   | 283,3 |
| NKV 10/2 6 S  | 2        |         | 28,5  | 28,5  | 28,0  | 27,0  | 25,5  | 24,5  | 23,5  | 22,0  | 20,5  | 19,0  | 17,0  | 15,5  | 13,0  |
| NKV 10/3 6 S  | 3        |         | 43,5  | 43,5  | 43,0  | 41,5  | 39,0  | 38,0  | 36,0  | 34,5  | 32,0  | 29,5  | 27,0  | 24,0  | 21,0  |
| NKV 10/4 6 S  | 4        |         | 57,5  | 57,5  | 56,5  | 54,5  | 51,5  | 49,5  | 47,0  | 44,5  | 42,0  | 38,5  | 35,0  | 31,0  | 27,0  |
| NKV 10/5 6 S  | 5        |         | 72,5  | 72,5  | 71,5  | 69,5  | 65,5  | 63,0  | 60,5  | 57,5  | 53,5  | 49,5  | 45,5  | 40,5  | 35,5  |
| NKV 10/6 6 S  | 6        |         | 87,5  | 87,5  | 86,5  | 84,0  | 79,5  | 77,0  | 73,5  | 70,0  | 65,5  | 61,0  | 55,5  | 50,0  | 43,5  |
| NKV 10/7 6 S  | 7        |         | 102,0 | 102,0 | 100,5 | 97,5  | 92,0  | 89,0  | 85,0  | 81,0  | 76,0  | 70,0  | 64,0  | 57,5  | 50,0  |
| NKV 10/8 6 S  | 8        |         | 117,0 | 117,0 | 115,5 | 112,0 | 106,0 | 102,5 | 98,0  | 93,0  | 87,5  | 81,0  | 74,0  | 66,0  | 58,0  |
| NKV 10/9 6 S  | 9        |         | 131,0 | 131,0 | 129,5 | 125,5 | 118,5 | 114,5 | 109,5 | 104,0 | 97,5  | 90,5  | 82,5  | 73,5  | 64,5  |
| NKV 10/10 6 S | 10       |         | 146,5 | 146,5 | 145,0 | 140,5 | 133,0 | 128,5 | 123,5 | 117,0 | 110,0 | 102,0 | 93,0  | 83,5  | 73,5  |
| NKV 10/11 6 S | 11       |         | 161,0 | 161,0 | 159,0 | 154,0 | 146,0 | 141,0 | 135,0 | 128,5 | 120,5 | 111,5 | 102,0 | 91,5  | 80,0  |
| NKV 10/12 6 S | 12       |         | 175,0 | 175,5 | 173,0 | 167,5 | 159,0 | 153,5 | 147,0 | 139,5 | 131,0 | 121,0 | 110,5 | 99,0  | 87,0  |
| NKV 10/13 6 S | 13       |         | 189,5 | 189,5 | 187,0 | 181,0 | 171,5 | 165,5 | 158,5 | 150,5 | 141,0 | 130,5 | 119,0 | 106,5 | 93,5  |
| NKV 10/15 6 S | 15       |         | 220,0 | 221,0 | 219,0 | 212,5 | 202,0 | 195,0 | 187,5 | 178,0 | 167,5 | 155,5 | 142,0 | 128,0 | 112,5 |
| NKV 10/17 6 S | 17       |         | 249,0 | 250,0 | 247,5 | 240,0 | 228,0 | 220,5 | 211,0 | 200,5 | 188,5 | 175,0 | 160,0 | 143,5 | 126,5 |

### SELECTION TABLE - NKV 15

| MODEL         | STAGE N° | Q=m³/h   | 0     | 4,8   | 9,6   | 12    | 14,4  | 16,8  | 19,2  | 21,6  | 24    | 26,4  | 28,8  |
|---------------|----------|----------|-------|-------|-------|-------|-------|-------|-------|-------|-------|-------|-------|
|               |          | Q=l/min  | 0     | 80    | 160   | 200   | 240   | 280   | 320   | 360   | 400   | 440   | 480   |
| NKV 15/1 6 S  | 1        | H<br>(m) | 21,0  | 20,0  | 18,5  | 18,0  | 17,5  | 16,5  | 15,5  | 14,0  | 12,5  | 10,5  | 8,0   |
| NKV 15/2 6 S  | 2        |          | 42,0  | 40,5  | 37,5  | 36,5  | 35,0  | 33,5  | 31,5  | 29,0  | 25,5  | 21,5  | 16,5  |
| NKV 15/3 6 S  | 3        |          | 63,5  | 60,5  | 56,5  | 55,0  | 53,0  | 50,5  | 47,5  | 43,5  | 38,5  | 32,0  | 25,0  |
| NKV 15/4 6 S  | 4        |          | 84,5  | 81,0  | 75,5  | 73,5  | 70,5  | 67,0  | 63,0  | 58,0  | 51,0  | 42,5  | 33,5  |
| NKV 15/5 6 S  | 5        |          | 106,0 | 101,5 | 95,0  | 92,0  | 88,5  | 84,5  | 79,5  | 73,0  | 64,5  | 54,0  | 42,5  |
| NKV 15/6 6 S  | 6        |          | 128,0 | 123,5 | 117,0 | 114,0 | 110,0 | 105,5 | 100,5 | 92,5  | 82,5  | 70,5  | 57,5  |
| NKV 15/7 6 S  | 7        |          | 149,0 | 143,5 | 136,0 | 132,5 | 128,0 | 122,5 | 116,5 | 107,5 | 95,5  | 81,5  | 66,5  |
| NKV 15/8 6 S  | 8        |          | 170,0 | 164,0 | 155,0 | 151,0 | 145,5 | 139,0 | 132,5 | 122,0 | 108,5 | 92,5  | 75,0  |
| NKV 15/9 6 S  | 9        |          | 191,5 | 184,5 | 174,0 | 169,5 | 163,5 | 156,5 | 149,0 | 137,0 | 122,0 | 104,0 | 84,5  |
| NKV 15/10 6 S | 10       |          | 212,5 | 204,5 | 193,0 | 187,5 | 181,0 | 173,5 | 165,0 | 151,5 | 135,0 | 115,0 | 93,0  |
| NKV 15/11 6 S | 11       |          | 233,5 | 224,5 | 211,5 | 206,0 | 198,5 | 190,0 | 180,5 | 166,0 | 147,5 | 125,5 | 101,5 |
| NKV 15/12 6 S | 12       |          | 255,0 | 245,5 | 232,0 | 226,0 | 218,0 | 209,0 | 199,0 | 183,0 | 163,0 | 139,0 | 112,5 |

### SELECTION TABLE - NKV 20

| MODEL         | Q=m³/h   | 0       | 4,8   | 9,6   | 12    | 14,4  | 16,8  | 19,2  | 21,6  | 24    | 26,4  | 28,8  | 31,2  | 33,6  |
|---------------|----------|---------|-------|-------|-------|-------|-------|-------|-------|-------|-------|-------|-------|-------|
|               |          | Q=l/min | 0     | 80    | 160   | 200   | 240   | 280   | 320   | 360   | 400   | 440   | 480   | 520   |
| NKV 20/1 6 S  | H<br>(m) | 22,5    | 22,0  | 21,0  | 20,5  | 20,0  | 19,5  | 18,5  | 18,0  | 17,0  | 15,5  | 13,5  | 11,5  | 9,5   |
| NKV 20/2 6 S  |          | 45,5    | 44,0  | 42,5  | 41,0  | 40,5  | 39,0  | 37,5  | 36,5  | 34,5  | 31,5  | 28,0  | 24,5  | 19,5  |
| NKV 20/3 6 S  |          | 68,0    | 66,0  | 63,5  | 61,5  | 60,0  | 58,5  | 56,0  | 54,5  | 51,0  | 47,0  | 41,5  | 36,0  | 29,0  |
| NKV 20/4 6 S  |          | 91,0    | 88,0  | 85,0  | 82,5  | 80,5  | 78,0  | 75,0  | 72,5  | 68,5  | 63,0  | 56,0  | 48,5  | 39,5  |
| NKV 20/5 6 S  |          | 114,5   | 111,0 | 107,5 | 104,0 | 102,0 | 99,0  | 95,5  | 92,5  | 87,5  | 80,5  | 72,0  | 62,5  | 51,5  |
| NKV 20/6 6 S  |          | 137,5   | 134,0 | 130,0 | 127,0 | 124,0 | 121,0 | 117,0 | 114,5 | 108,5 | 100,0 | 89,5  | 77,5  | 64,5  |
| NKV 20/7 6 S  |          | 160,0   | 156,5 | 151,5 | 147,5 | 144,0 | 140,5 | 136,5 | 133,5 | 126,0 | 116,5 | 104,0 | 90,5  | 75,0  |
| NKV 20/8 6 S  |          | 182,5   | 178,5 | 172,5 | 168,0 | 164,0 | 160,0 | 155,5 | 151,5 | 143,5 | 132,0 | 118,0 | 102,5 | 84,5  |
| NKV 20/9 6 S  |          | 206,0   | 201,0 | 195,0 | 190,0 | 185,5 | 181,0 | 176,0 | 172,0 | 162,5 | 150,0 | 134,0 | 117,0 | 96,5  |
| NKV 20/10 6 S |          | 228,5   | 223,0 | 216,0 | 210,5 | 205,5 | 200,5 | 194,5 | 190,0 | 180,0 | 166,0 | 148,0 | 129,0 | 106,5 |



### SELECTION TABLE - NKV 32

| MODEL                         | Q=m³/h   | 0     | 18    | 21    | 24    | 27    | 33    | 42    | 48    |
|-------------------------------|----------|-------|-------|-------|-------|-------|-------|-------|-------|
|                               | Q=l/min  | 0     | 300   | 350   | 400   | 450   | 550   | 700   | 800   |
| NKV 32/26-2 T 220-277/380-480 | H<br>(m) | 52,0  | 49,0  | 48,0  | 46,5  | 45,0  | 42    | 33,5  | 27,0  |
| NKV 32/26 T 220-277/380-480   |          | 71,0  | 64,0  | 62,5  | 61,5  | 60,0  | 56,5  | 50,5  | 44,0  |
| NKV 32/36-2 T 220-277/380-480 |          | 88,0  | 81,5  | 80,0  | 78,0  | 75,5  | 70,5  | 59,5  | 50,0  |
| NKV 32/36 T 220-277/380-480   |          | 106,0 | 95,0  | 93,5  | 91,5  | 89,5  | 84,0  | 74,5  | 65,0  |
| NKV 32/46-2 T 220-277/380-480 |          | 123,0 | 112,5 | 110,5 | 108,0 | 104,5 | 98,0  | 83,5  | 71,0  |
| NKV 32/46 T 220-277/380-480   |          | 141,0 | 127,0 | 124,5 | 122,0 | 119,0 | 112,5 | 99,5  | 86,5  |
| NKV 32/56-2 T 220-277/380-480 |          | 158,0 | 144,5 | 142,0 | 138,5 | 134,5 | 126,0 | 108,5 | 92,5  |
| NKV 32/56 T 220-277/380-480   |          | 176,0 | 158,0 | 155,0 | 152,0 | 148,0 | 139,5 | 123,5 | 107,5 |
| NKV 32/66-2 T 220-277/380-480 |          | 193,0 | 175,5 | 172,0 | 168,0 | 163,5 | 153,0 | 132,0 | 113,0 |
| NKV 32/66 T 220-277/380-480   |          | 213,0 | 192,5 | 189,0 | 185,5 | 181,5 | 171,5 | 152,5 | 133,5 |
| NKV 32/76-2 T 220-277/380-480 |          | 230,5 | 210,5 | 207,0 | 202,5 | 197,5 | 185,5 | 162,0 | 140,0 |
| NKV 32/76 T 220-277/380-480   |          | 248,5 | 224,5 | 220,5 | 216,0 | 211,0 | 199,5 | 177,0 | 155,0 |
| NKV 32/86-2 T 220-277/380-480 |          | 265,5 | 242,5 | 238,0 | 233,0 | 227,0 | 213,5 | 186,5 | 161,5 |
| NKV 32/86 T 380/480           |          | 284,0 | 256,5 | 251,5 | 247,0 | 241,5 | 228,0 | 202,0 | 177,0 |

### SELECTION TABLE - NKV 45

| MODEL                            | Q=m³/h   | 0     | 27    | 33    | 42    | 48    | 54    | 60    | 72    |
|----------------------------------|----------|-------|-------|-------|-------|-------|-------|-------|-------|
|                                  | Q=l/min  | 0     | 450   | 550   | 700   | 800   | 900   | 1000  | 1200  |
| NKV 45/26-2 T 220-277/380-480/60 | H<br>(m) | 56,0  | 54,5  | 53,0  | 50,5  | 48,0  | 45    | 40,5  | 31,0  |
| NKV 45/26 T 220-277/380-480/60   |          | 70,5  | 67,5  | 65,5  | 63,0  | 61,0  | 58,0  | 54,5  | 45,5  |
| NKV 45/36-2 T 220-277/380-480/60 |          | 91,5  | 88,0  | 86,0  | 82,0  | 78,5  | 73,5  | 68,0  | 53,5  |
| NKV 45/36 T 220-277/380-480/60   |          | 106,0 | 100,5 | 98,0  | 94,5  | 91,5  | 86,5  | 81,0  | 67,5  |
| NKV 45/46-2 T 220-277/380-480/60 |          | 126,0 | 120,5 | 117,5 | 112,5 | 108,0 | 101,5 | 94,0  | 75,0  |
| NKV 45/46 T 220-277/380-480/60   |          | 142,5 | 136,0 | 133,0 | 128,5 | 124,5 | 118,5 | 111,0 | 93,5  |
| NKV 45/56-2 T 220-277/380-480/60 |          | 163,0 | 156,5 | 153,0 | 147,0 | 141,5 | 133,5 | 124,5 | 101,5 |
| NKV 45/56 T 380/480              |          | 178,0 | 170,0 | 166,0 | 160,0 | 155,0 | 147,5 | 138,5 | 116,5 |
| NKV 45/66-2 T 380/480            |          | 198,5 | 190,5 | 186,0 | 179,0 | 172,5 | 163,0 | 151,5 | 124,0 |
| NKV 45/66 T 380/480              |          | 213,0 | 203,5 | 198,5 | 191,5 | 185,5 | 176,5 | 165,5 | 139,0 |
| NKV 45/76-2 T 380/480            |          | 234,0 | 224,5 | 219,5 | 211,0 | 203,5 | 192,5 | 179,5 | 148,0 |
| NKV 45/76 T 380/480              |          | 249,0 | 237,5 | 232,0 | 224,0 | 217,0 | 206,5 | 193,5 | 162,5 |

### SELECTION TABLE - NKV 65

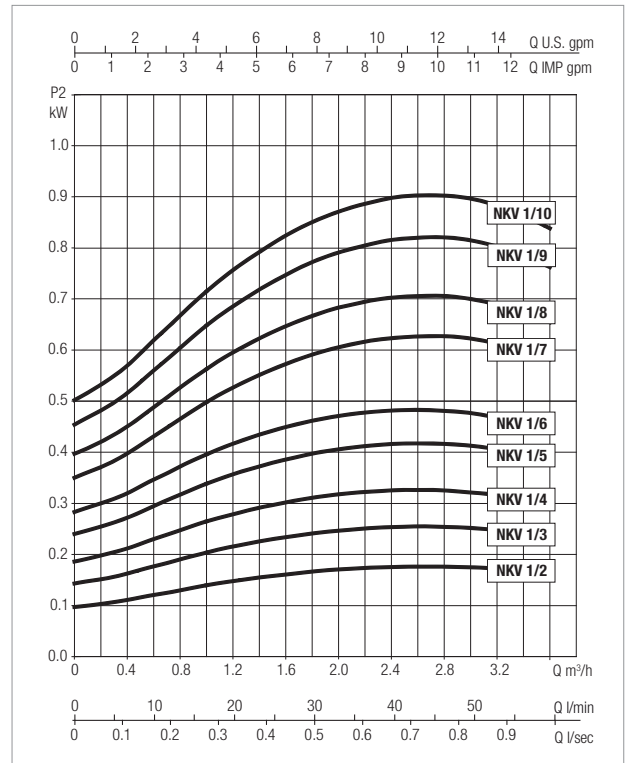
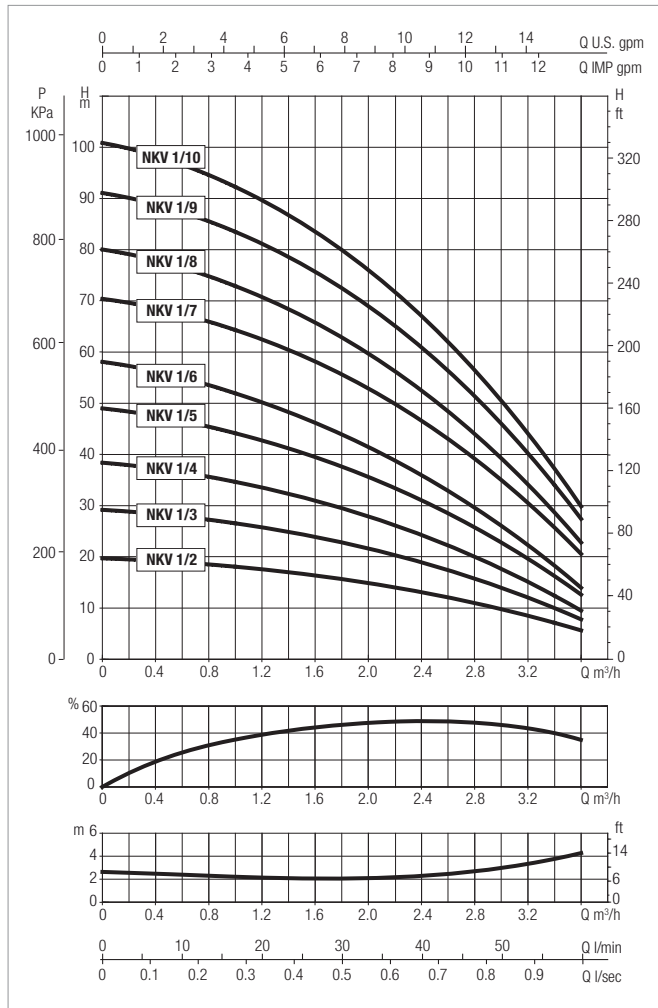
| MODEL                            | Q=m <sup>3</sup> /h | 0     | 36    | 43    | 50    | 54    | 65    | 72    | 86    | 93    | 102   |
|----------------------------------|---------------------|-------|-------|-------|-------|-------|-------|-------|-------|-------|-------|
|                                  | Q=l/min             | 0     | 600   | 717   | 833   | 900   | 1083  | 1200  | 1433  | 1550  | 1700  |
| NKV 65/26-2 T 220-277/380-480/60 | H<br>(m)            | 57,0  | 55,0  | 53,5  | 52,5  | 51,5  | 49    | 45,5  | 38,0  | 33,5  | 26,5  |
| NKV 65/26-1 T 220-277/380-480/60 |                     | 69,0  | 64,5  | 63,0  | 61,5  | 60,5  | 58,0  | 55,5  | 49,0  | 45,0  | 38,5  |
| NKV 65/26 T 220-277/380-480/60   |                     | 81,5  | 73,5  | 71,5  | 70,0  | 69,0  | 66,5  | 64,5  | 59,5  | 56,0  | 50,0  |
| NKV 65/36-2 T 220-277/380-480/60 |                     | 97,0  | 91,0  | 89,0  | 87,0  | 85,5  | 81,5  | 77,5  | 67,0  | 60,5  | 51,0  |
| NKV 65/36 T 220-277/380-480/60   |                     | 123,0 | 112,0 | 109,0 | 106,5 | 105,0 | 101,5 | 99,0  | 91,5  | 86,0  | 77,5  |
| NKV 65/46-2 T 380-480D/60        |                     | 139,5 | 130,0 | 127,0 | 124,5 | 122,5 | 117,0 | 112,5 | 99,5  | 92,0  | 79,0  |
| NKV 65/46 T 380-480D/60          |                     | 164,5 | 149,0 | 145,0 | 142,5 | 140,5 | 135,0 | 132,0 | 122,0 | 115,0 | 103,5 |
| NKV 65/56-2 T 380-480D/60        |                     | 180,5 | 167,0 | 163,0 | 160,0 | 157,5 | 151,0 | 145,5 | 130,0 | 120,5 | 105,0 |
| NKV 65/56-1 T 380-480D/60        |                     | 192,5 | 176,5 | 172,0 | 168,5 | 166,0 | 159,5 | 155,0 | 141,0 | 132,0 | 116,5 |

### SELECTION TABLE - NKV 95

| MODEL                            | Q=m <sup>3</sup> /h | 0     | 54    | 65    | 72    | 86    | 93    | 102   | 115   | 130  | 141  |
|----------------------------------|---------------------|-------|-------|-------|-------|-------|-------|-------|-------|------|------|
|                                  | Q=l/min             | 0     | 900   | 1083  | 1200  | 1433  | 1550  | 1700  | 1917  | 2167 | 2350 |
| NKV 95/26-2 T 220-277/380-480/60 | H<br>(m)            | 64,5  | 62,0  | 60,5  | 59,0  | 55,5  | 53    | 48,5  | 41,5  | 31,0 | 22,0 |
| NKV 95/26-1 T 220-277/380-480/60 |                     | 77,0  | 71,0  | 68,5  | 66,5  | 63,0  | 60,5  | 57,0  | 50,0  | 40,5 | 32,0 |
| NKV 95/26 T 220-277/380-480/60   |                     | 90,5  | 81,5  | 78,5  | 76,0  | 72,5  | 70,5  | 67,0  | 61,5  | 52,5 | 44,5 |
| NKV 95/36-2 T 380-480D/60        |                     | 110,5 | 103,5 | 100,5 | 98,5  | 93,0  | 89,5  | 83,5  | 73,5  | 58,5 | 45,5 |
| NKV 95/36-1 T 380-480D/60        |                     | 123,0 | 113,0 | 109,0 | 106,0 | 100,5 | 97,0  | 92,0  | 82,5  | 68,0 | 56,0 |
| NKV 95/36 T 380-480D/60          |                     | 136,0 | 122,5 | 117,5 | 114,0 | 108,5 | 105,5 | 101,0 | 92,0  | 78,5 | 67,0 |
| NKV 95/46-2 T 380-480D/60        |                     | 155,5 | 144,5 | 139,5 | 136,0 | 129,0 | 124,0 | 117,0 | 104,0 | 84,5 | 67,5 |

# NKV 1 - MULTISTAGE CENTRIFUGAL ELECTRIC PUMPS WITH VERTICAL AXIS, FOR CIVIL AND INDUSTRIAL PRESSURIZATION UNITS

Liquid temperature range: from - 30°C to +120°C - Maximum working pressure: 25 bar (2500 kPa)

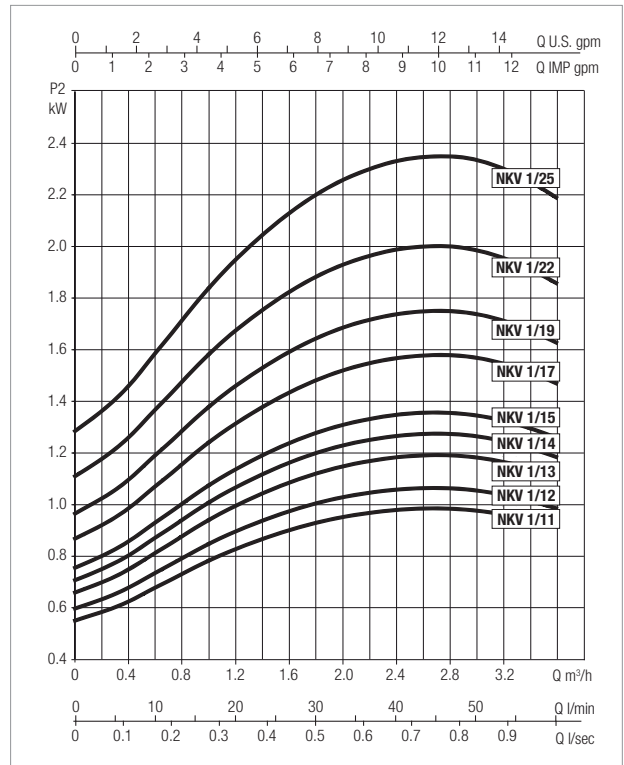
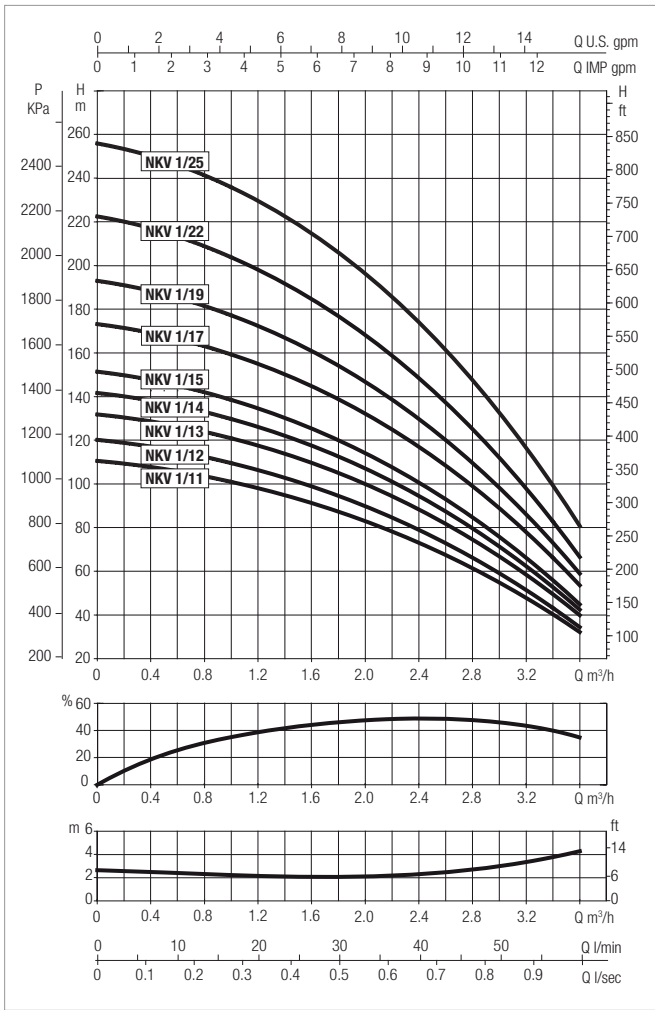


The performance curves are based on kinematic viscosity values = 1 mm²/s and density equivalent to 1000 kg/m³. Tolerance of curves to ISO 9906.

| MODEL        | VOLTAGE<br>50 Hz  | P2 NOMINAL |      | MEC |
|--------------|-------------------|------------|------|-----|
|              |                   | kW         | HP   |     |
| NKV 1/2 6 S  | 220-277/380-480 V | 0,37       | 0,50 | 71  |
| NKV 1/3 6 S  | 220-277/380-480 V | 0,37       | 0,50 | 71  |
| NKV 1/4 6 S  | 220-277/380-480 V | 0,37       | 0,50 | 71  |
| NKV 1/5 6 S  | 220-277/380-480 V | 0,55       | 0,75 | 71  |
| NKV 1/6 6 S  | 220-277/380-480 V | 0,55       | 0,75 | 71  |
| NKV 1/7 6 S  | 220-277/380-480 V | 0,75       | 1,00 | 80  |
| NKV 1/8 6 S  | 220-277/380-480 V | 0,75       | 1,00 | 80  |
| NKV 1/9 6 S  | 220-277/380-480 V | 1,10       | 1,50 | 80  |
| NKV 1/10 6 S | 220-277/380-480 V | 1,10       | 1,50 | 80  |

# NKV 1 - MULTISTAGE CENTRIFUGAL ELECTRIC PUMPS WITH VERTICAL AXIS, FOR CIVIL AND INDUSTRIAL PRESSURIZATION UNITS

Liquid temperature range: from - 30°C to +120°C - Maximum working pressure: 25 bar (2500 kPa)

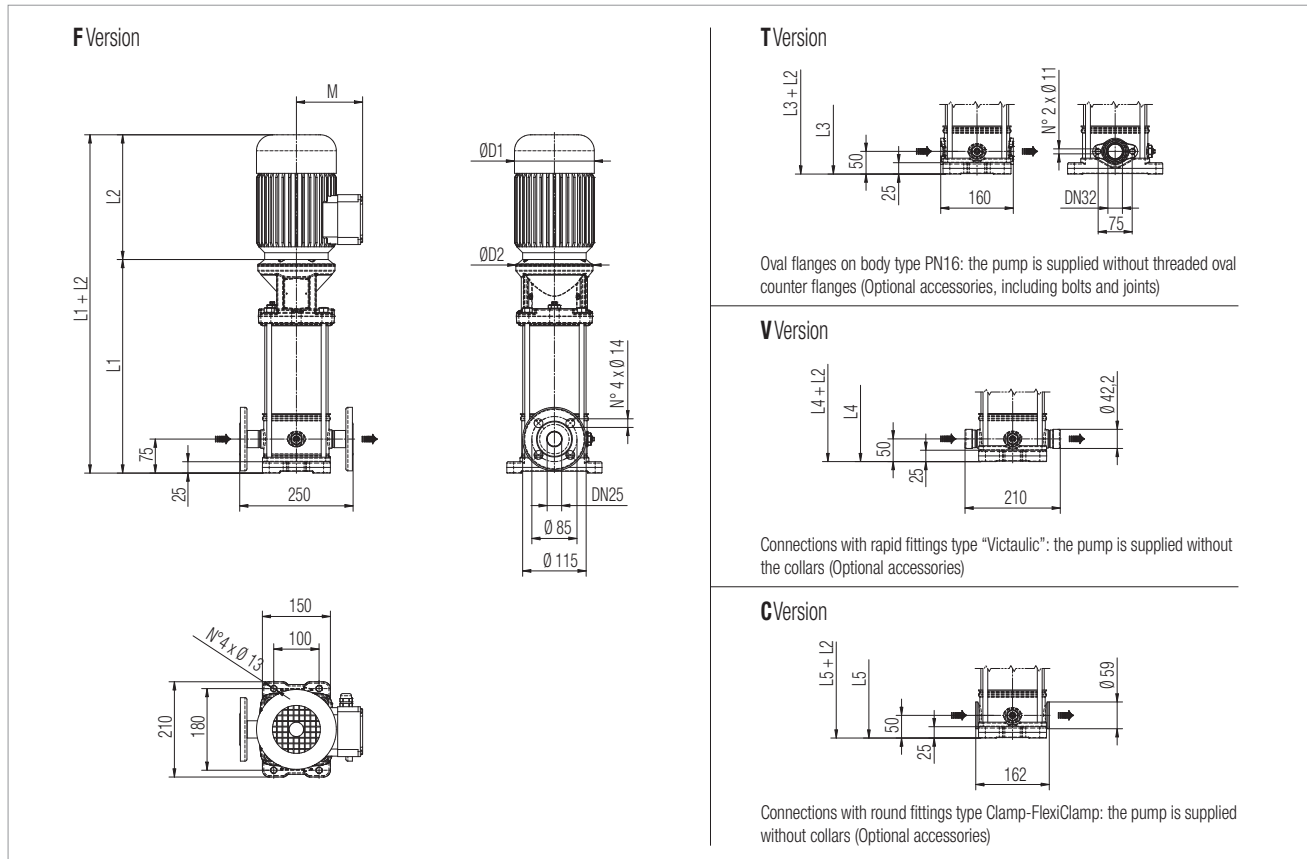


The performance curves are based on kinematic viscosity values = 1 mm²/s and density equivalent to 1000 kg/m³. Tolerance of curves to ISO 9906.

| MODEL        | VOLTAGE<br>50 Hz  | P2 NOMINAL |      | MEC |
|--------------|-------------------|------------|------|-----|
|              |                   | kW         | HP   |     |
| NKV 1/11 6 S | 220-277/380-480 V | 1,10       | 1,50 | 80  |
| NKV 1/12 6 S | 220-277/380-480 V | 1,10       | 1,50 | 80  |
| NKV 1/13 6 S | 220-277/380-480 V | 1,50       | 2,00 | 90  |
| NKV 1/14 6 S | 220-277/380-480 V | 1,50       | 2,00 | 90  |
| NKV 1/15 6 S | 220-277/380-480 V | 1,50       | 2,00 | 90  |
| NKV 1/17 6 S | 220-277/380-480 V | 2,20       | 3,00 | 90  |
| NKV 1/19 6 S | 220-277/380-480 V | 2,20       | 3,00 | 90  |
| NKV 1/22 6 S | 220-277/380-480 V | 2,20       | 3,00 | 90  |
| NKV 1/25 6 S | 220-277/380-480 V | 3,00       | 4,00 | 100 |

# NKV 1 - MULTISTAGE CENTRIFUGAL ELECTRIC PUMPS WITH VERTICAL AXIS, FOR CIVIL AND INDUSTRIAL PRESSURIZATION UNITS

Liquid temperature range: from - 30°C to +120°C - Maximum working pressure: 25 bar (2500 kPa)

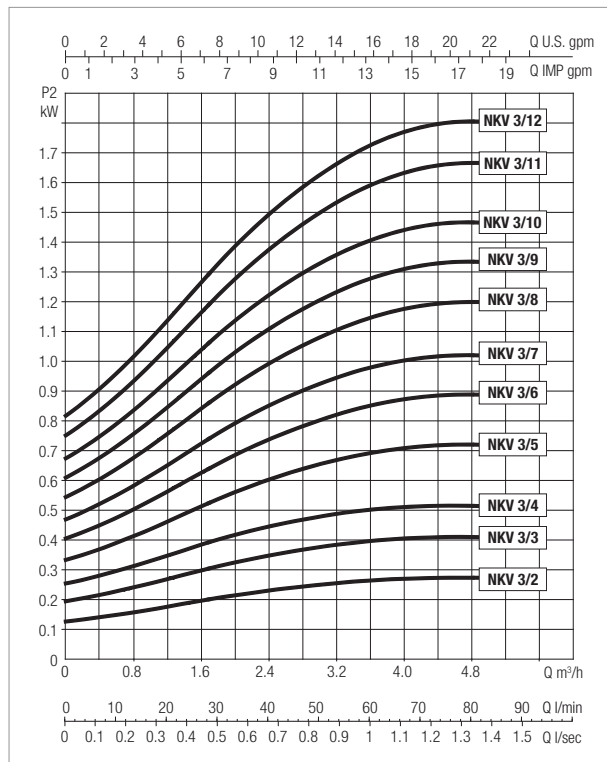
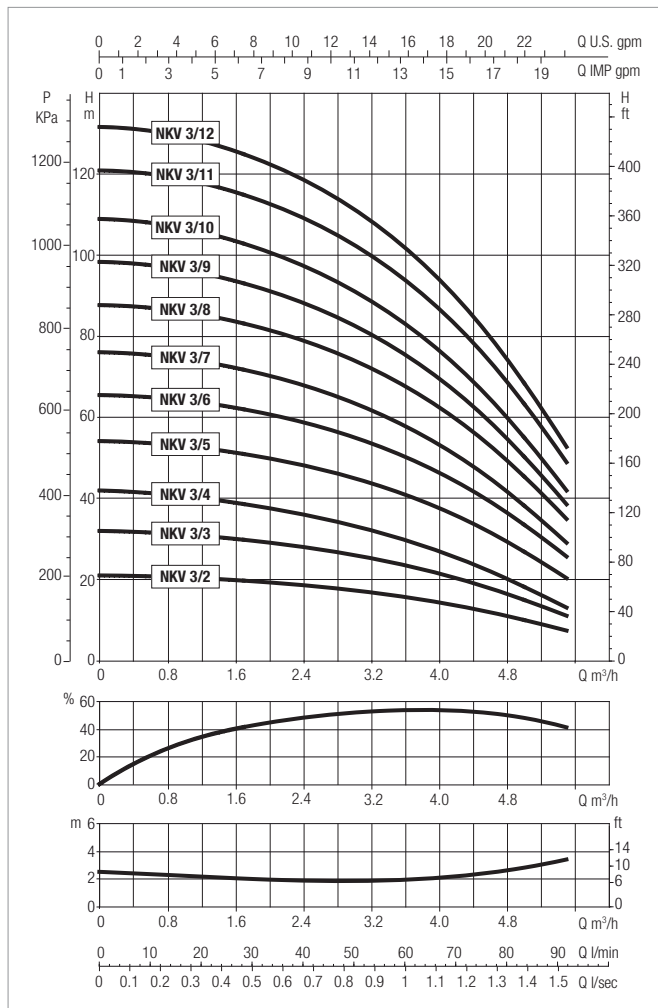


Version **F**: The pump is supplied without counter flanges (optional accessories, including joints and bolts).

| MODEL        | DNA | DNM | L1<br>F<br>mm | L2<br>mm | L3<br>T<br>mm | L4<br>V<br>mm | L5<br>C<br>mm | M<br>mm | D1<br>mm | D2<br>mm | L1+L2<br>mm | H<br>mm | Interax<br>mm | WEIGHT<br>Kg |
|--------------|-----|-----|---------------|----------|---------------|---------------|---------------|---------|----------|----------|-------------|---------|---------------|--------------|
| NKV 1/2 6 S  | 25  | 25  | 313           | 216      | 288           | 288           | 288           | 110     | 139      | 170      | 529         | 529     | 250           | 17,3         |
| NKV 1/3 6 S  | 25  | 25  | 336           | 216      | 311           | 311           | 311           | 110     | 139      | 170      | 552         | 552     | 250           | 17,8         |
| NKV 1/4 6 S  | 25  | 25  | 358           | 216      | 333           | 333           | 333           | 110     | 139      | 170      | 574         | 574     | 250           | 18,3         |
| NKV 1/5 6 S  | 25  | 25  | 381           | 216      | 356           | 356           | 356           | 110     | 139      | 170      | 597         | 597     | 250           | 19,2         |
| NKV 1/6 6 S  | 25  | 25  | 403           | 216      | 378           | 378           | 378           | 110     | 139      | 170      | 619         | 619     | 250           | 19,7         |
| NKV 1/7 6 S  | 25  | 25  | 426           | 232      | 401           | 401           | 401           | 129     | 160      | 170      | 658         | 658     | 250           | 23,5         |
| NKV 1/8 6 S  | 25  | 25  | 448           | 232      | 423           | 423           | 423           | 129     | 160      | 170      | 680         | 680     | 250           | 24,0         |
| NKV 1/9 6 S  | 25  | 25  | 471           | 232      | 446           | 446           | 446           | 129     | 160      | 170      | 703         | 703     | 250           | 26,1         |
| NKV 1/10 6 S | 25  | 25  | 493           | 232      | 468           | 468           | 468           | 129     | 160      | 170      | 725         | 725     | 250           | 26,6         |
| NKV 1/11 6 S | 25  | 25  | 516           | 232      | 491           | 491           | 491           | 129     | 160      | 170      | 748         | 748     | 250           | 27,1         |
| NKV 1/12 6 S | 25  | 25  | 538           | 232      | 513           | 513           | 513           | 129     | 160      | 170      | 770         | 770     | 250           | 27,6         |
| NKV 1/13 6 S | 25  | 25  | 571           | 267      | 546           | 546           | 546           | 138     | 180      | 170      | 838         | 838     | 250           | 31,5         |
| NKV 1/14 6 S | 25  | 25  | 593           | 267      | 568           | 568           | 568           | 138     | 180      | 170      | 860         | 860     | 250           | 31,5         |
| NKV 1/15 6 S | 25  | 25  | 616           | 267      | 591           | 591           | 591           | 138     | 180      | 170      | 883         | 883     | 250           | 32,0         |
| NKV 1/17 6 S | 25  | 25  | 661           | 267      | -             | 636           | 636           | 138     | 180      | 170      | 928         | 928     | 250           | 35,0         |
| NKV 1/19 6 S | 25  | 25  | 706           | 267      | -             | 681           | 681           | 138     | 180      | 170      | 973         | 973     | 250           | 36,0         |
| NKV 1/22 6 S | 25  | 25  | 773           | 267      | -             | 748           | 748           | 138     | 180      | 170      | 1040        | 1040    | 250           | 37,5         |
| NKV 1/25 6 S | 25  | 25  | 851           | 290      | -             | 826           | 826           | 138     | 180      | 170      | 1141        | 1141    | 250           | 41,5         |

# NKV 3 - MULTISTAGE CENTRIFUGAL ELECTRIC PUMPS WITH VERTICAL AXIS, FOR CIVIL AND INDUSTRIAL PRESSURIZATION UNITS

Liquid temperature range: from - 30°C to +120°C - Maximum working pressure: 25 bar (2500 kPa)



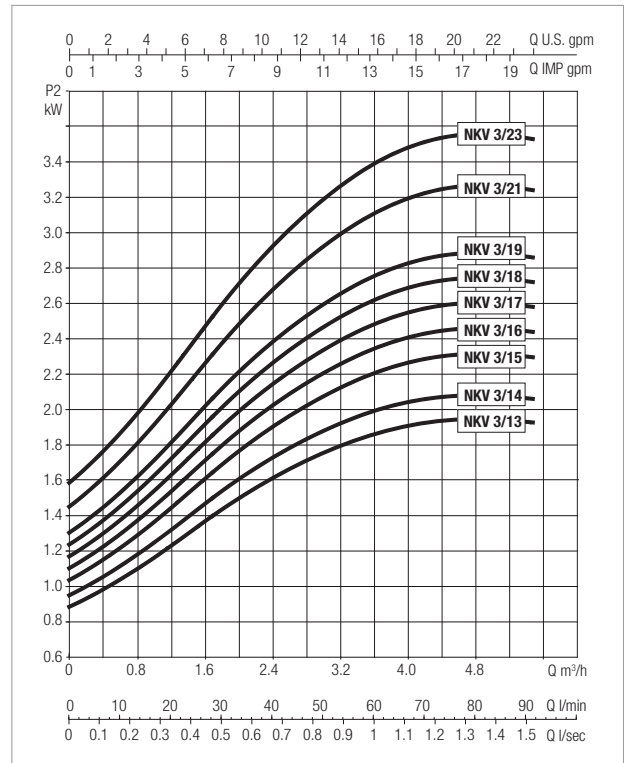
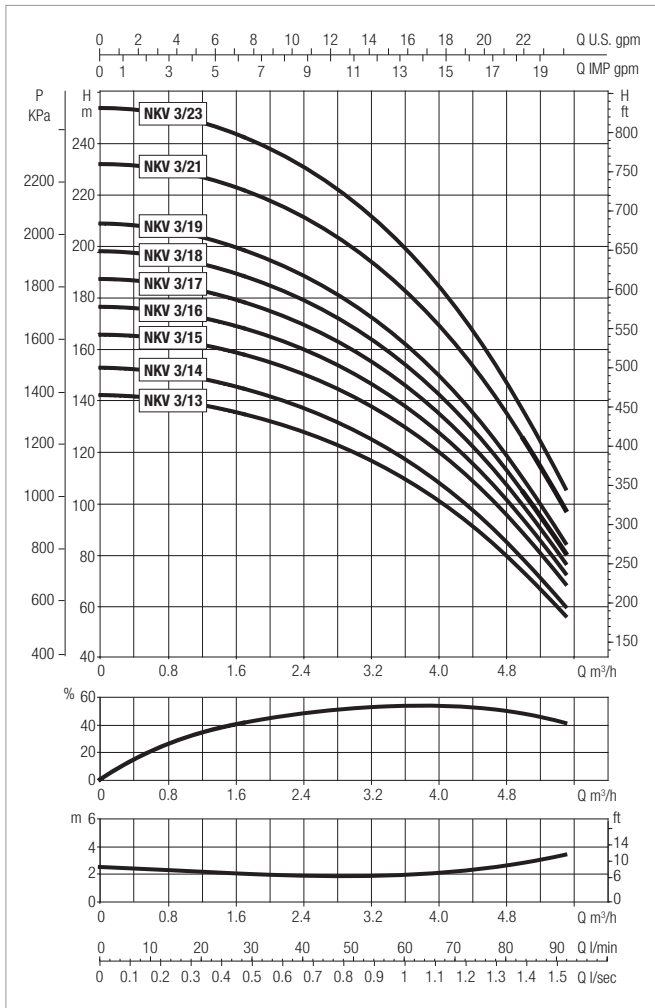
The performance curves are based on kinematic viscosity values = 1 mm²/s and density equivalent to 1000 kg/m³. Tolerance of curves to ISO 9906.

| MODEL        | VOLTAGE<br>50 Hz  | P2 NOMINAL |      | MEC |
|--------------|-------------------|------------|------|-----|
|              |                   | kW         | HP   |     |
| NKV 3/2 6 S  | 220-277/380-480 V | 0,37       | 0,50 | 71  |
| NKV 3/3 6 S  | 220-277/380-480 V | 0,55       | 0,75 | 71  |
| NKV 3/4 6 S  | 220-277/380-480 V | 0,55       | 0,75 | 71  |
| NKV 3/5 6 S  | 220-277/380-480 V | 0,75       | 1,00 | 80  |
| NKV 3/6 6 S  | 220-277/380-480 V | 1,10       | 1,50 | 80  |
| NKV 3/7 6 S  | 220-277/380-480 V | 1,10       | 1,50 | 80  |
| NKV 3/8 6 S  | 220-277/380-480 V | 1,50       | 2,00 | 90  |
| NKV 3/9 6 S  | 220-277/380-480 V | 1,50       | 2,00 | 90  |
| NKV 3/10 6 S | 220-277/380-480 V | 1,50       | 2,00 | 90  |
| NKV 3/11 6 S | 220-277/380-480 V | 2,20       | 3,00 | 90  |
| NKV 3/12 6 S | 220-277/380-480 V | 2,20       | 3,00 | 90  |



# NKV 3 - MULTISTAGE CENTRIFUGAL ELECTRIC PUMPS WITH VERTICAL AXIS, FOR CIVIL AND INDUSTRIAL PRESSURIZATION UNITS

Liquid temperature range: from - 30°C to +120°C - Maximum working pressure: 25 bar (2500 kPa)

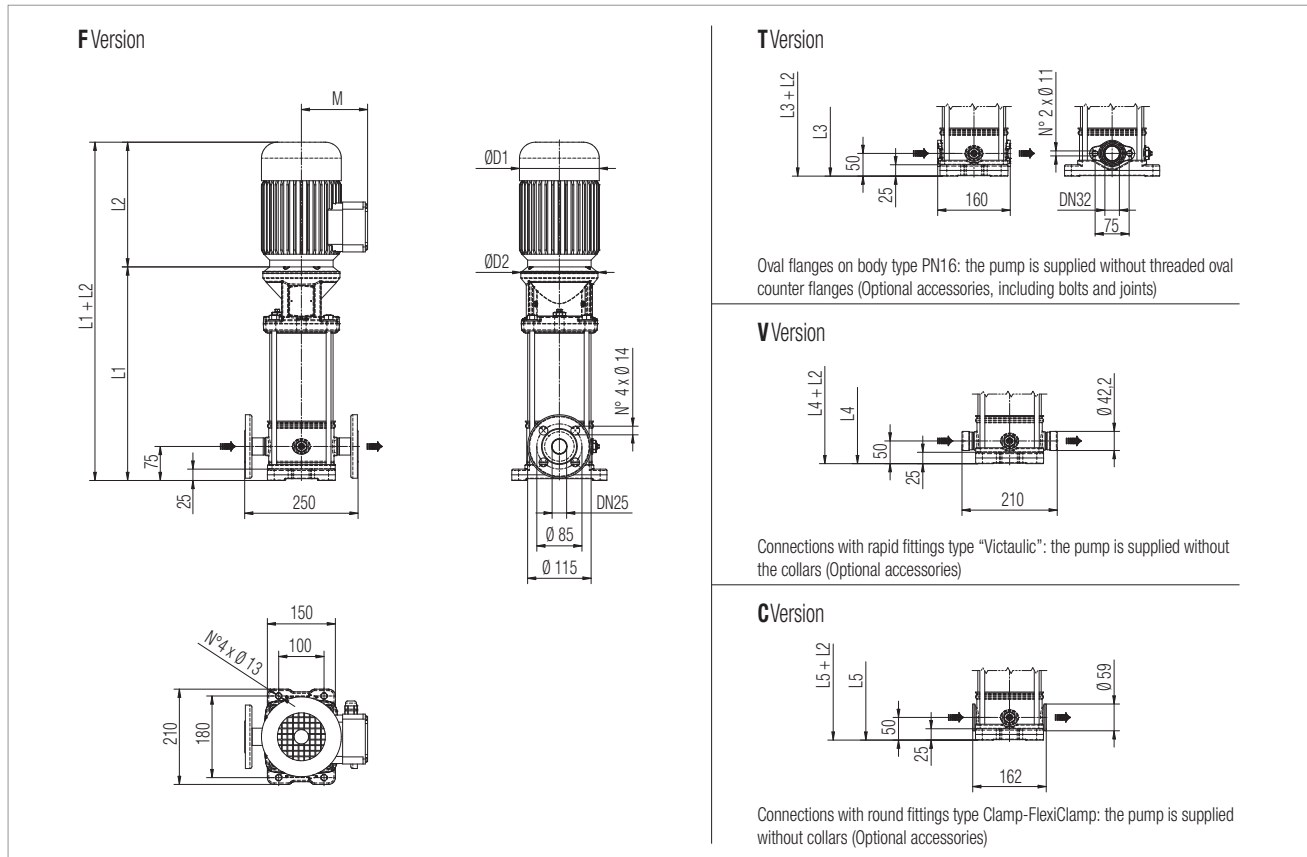


The performance curves are based on kinematic viscosity values = 1 mm²/s and density equivalent to 1000 kg/m³. Tolerance of curves to ISO 9906.

| MODEL        | VOLTAGE<br>50 Hz  | P2 NOMINAL |      | MEC |
|--------------|-------------------|------------|------|-----|
|              |                   | kW         | HP   |     |
| NKV 3/13 6 S | 220-277/380-480 V | 2,20       | 3,00 | 90  |
| NKV 3/14 6 S | 220-277/380-480 V | 2,20       | 3,00 | 90  |
| NKV 3/15 6 S | 220-277/380-480 V | 3,00       | 4,00 | 100 |
| NKV 3/16 6 S | 220-277/380-480 V | 3,00       | 4,00 | 100 |
| NKV 3/17 6 S | 220-277/380-480 V | 3,00       | 4,00 | 100 |
| NKV 3/18 6 S | 220-277/380-480 V | 3,00       | 4,00 | 100 |
| NKV 3/19 6 S | 220-277/380-480 V | 3,00       | 4,00 | 100 |
| NKV 3/21 6 S | 220-277/380-480 V | 4,00       | 5,50 | 112 |
| NKV 3/23 6 S | 220-277/380-480 V | 4,00       | 5,50 | 112 |

# NKV 3 - MULTISTAGE CENTRIFUGAL ELECTRIC PUMPS WITH VERTICAL AXIS, FOR CIVIL AND INDUSTRIAL PRESSURIZATION UNITS

Liquid temperature range: from - 30°C to +120°C - Maximum working pressure: 25 bar (2500 kPa)

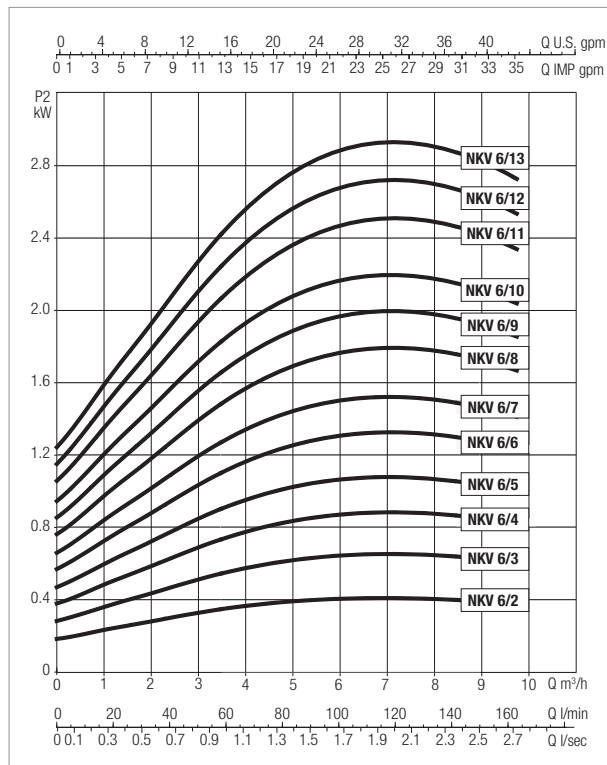
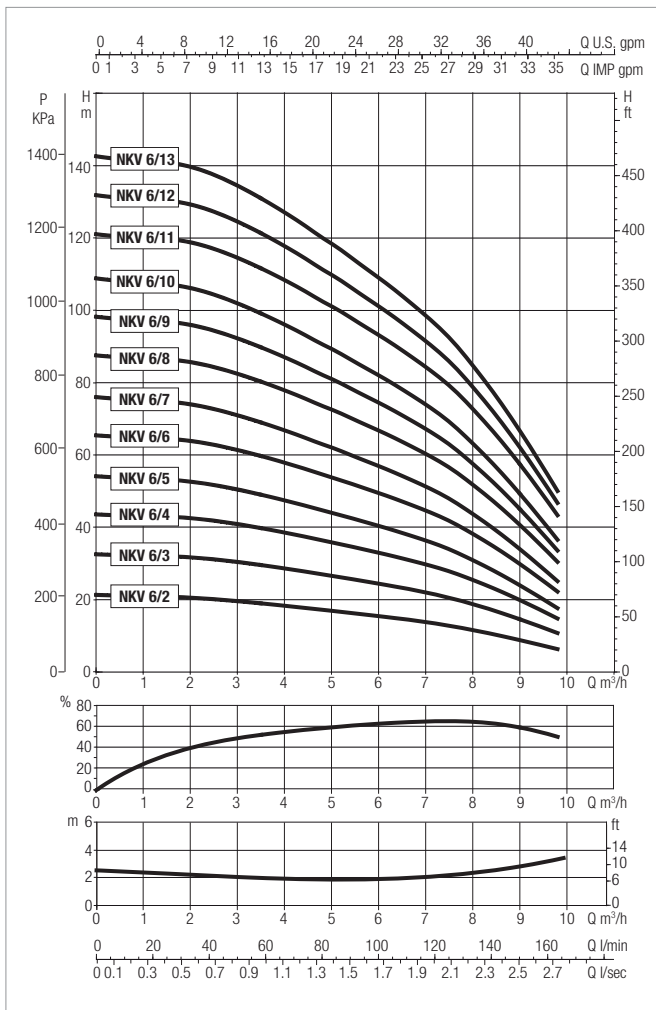


Version **F**: The pump is supplied without counter flanges (optional accessories, including joints and bolts).

| MODEL        | DNA | DNM | L1<br>F<br>mm | L2<br>mm | L3<br>T<br>mm | L4<br>V<br>mm | L5<br>C<br>mm | M<br>mm | D1<br>mm | D2<br>mm | L1+L2<br>mm | H<br>mm | Interax<br>mm | WEIGHT<br>Kg |
|--------------|-----|-----|---------------|----------|---------------|---------------|---------------|---------|----------|----------|-------------|---------|---------------|--------------|
| NKV 3/2 6 S  | 25  | 25  | 313           | 216      | 288           | 288           | 288           | 110     | 139      | 170      | 529         | 529     | 250           | 17,3         |
| NKV 3/3 6 S  | 25  | 25  | 336           | 216      | 311           | 311           | 311           | 110     | 139      | 170      | 552         | 552     | 250           | 18,2         |
| NKV 3/4 6 S  | 25  | 25  | 358           | 216      | 333           | 333           | 333           | 110     | 139      | 170      | 574         | 574     | 250           | 18,7         |
| NKV 3/5 6 S  | 25  | 25  | 381           | 232      | 356           | 356           | 356           | 129     | 160      | 170      | 613         | 613     | 250           | 22,5         |
| NKV 3/6 6 S  | 25  | 25  | 403           | 232      | 378           | 378           | 378           | 129     | 160      | 170      | 635         | 635     | 250           | 24,6         |
| NKV 3/7 6 S  | 25  | 25  | 426           | 232      | 401           | 401           | 401           | 129     | 160      | 170      | 658         | 658     | 250           | 25,1         |
| NKV 3/8 6 S  | 25  | 25  | 458           | 267      | 433           | 433           | 433           | 138     | 180      | 170      | 725         | 725     | 250           | 29,0         |
| NKV 3/9 6 S  | 25  | 25  | 481           | 267      | 456           | 456           | 456           | 138     | 180      | 170      | 748         | 748     | 250           | 29,5         |
| NKV 3/10 6 S | 25  | 25  | 503           | 267      | 478           | 478           | 478           | 138     | 180      | 170      | 770         | 770     | 250           | 30,0         |
| NKV 3/11 6 S | 25  | 25  | 526           | 267      | 501           | 501           | 501           | 138     | 180      | 170      | 793         | 793     | 250           | 32,5         |
| NKV 3/12 6 S | 25  | 25  | 548           | 267      | 523           | 523           | 523           | 138     | 180      | 170      | 815         | 815     | 250           | 33,0         |
| NKV 3/13 6 S | 25  | 25  | 571           | 267      | 546           | 546           | 546           | 138     | 180      | 170      | 838         | 838     | 250           | 33,5         |
| NKV 3/14 6 S | 25  | 25  | 593           | 267      | 568           | 568           | 568           | 138     | 180      | 170      | 860         | 860     | 250           | 34,0         |
| NKV 3/15 6 S | 25  | 25  | 626           | 290      | -             | 601           | 601           | 138     | 180      | 170      | 916         | 916     | 250           | 37,0         |
| NKV 3/16 6 S | 25  | 25  | 648           | 290      | -             | 623           | 623           | 138     | 180      | 170      | 938         | 938     | 250           | 37,5         |
| NKV 3/17 6 S | 25  | 25  | 671           | 290      | -             | 646           | 646           | 138     | 180      | 170      | 961         | 961     | 250           | 38,0         |
| NKV 3/18 6 S | 25  | 25  | 693           | 290      | -             | 668           | 668           | 138     | 180      | 170      | 983         | 983     | 250           | 38,5         |
| NKV 3/19 6 S | 25  | 25  | 716           | 290      | -             | 691           | 691           | 138     | 180      | 170      | 1006        | 1006    | 250           | 39,0         |
| NKV 3/21 6 S | 25  | 25  | 761           | 306      | -             | 736           | 736           | 145     | 196      | 170      | 1067        | 1067    | 250           | 44,3         |
| NKV 3/23 6 S | 25  | 25  | 806           | 306      | -             | 781           | 781           | 145     | 196      | 170      | 1112        | 1112    | 250           | 45,3         |

# NKV 6 - MULTISTAGE CENTRIFUGAL ELECTRIC PUMPS WITH VERTICAL AXIS, FOR CIVIL AND INDUSTRIAL PRESSURIZATION UNITS

Liquid temperature range: from - 30°C to +120°C - Maximum working pressure: 25 bar (2500 kPa)

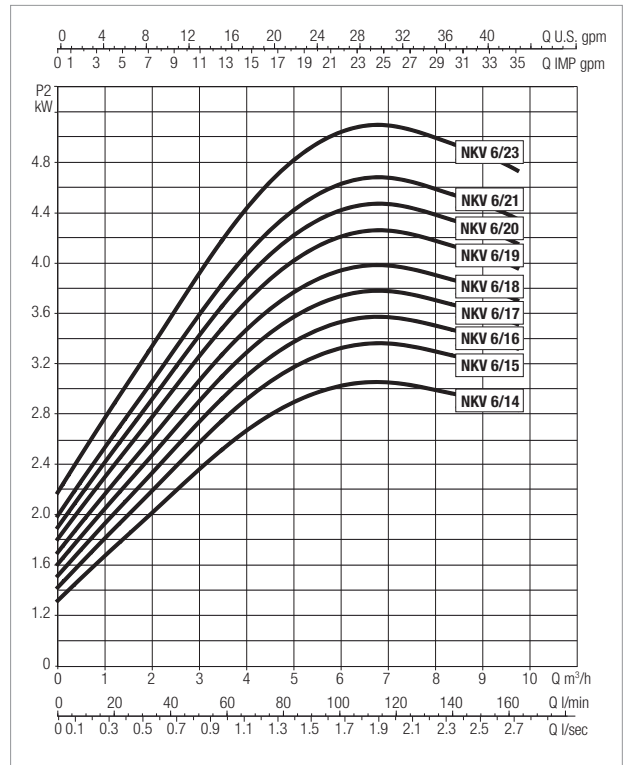
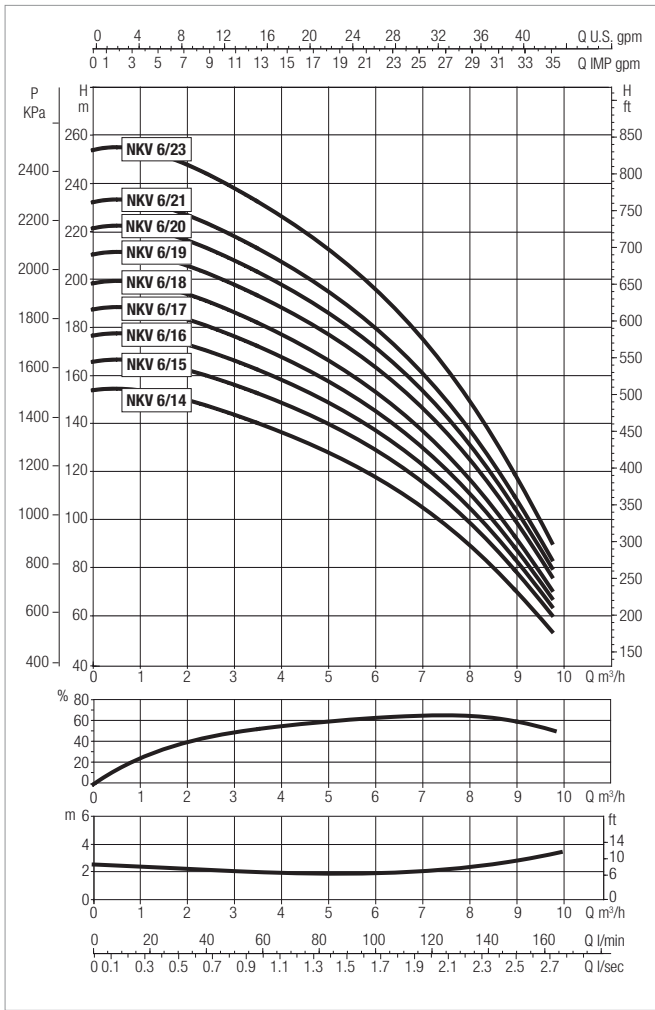


The performance curves are based on kinematic viscosity values = 1 mm<sup>2</sup>/s and density equivalent to 1000 kg/m<sup>3</sup>. Tolerance of curves to ISO 9906.

| MODEL        | VOLTAGE<br>50 Hz  | P2 NOMINAL |      | MEC |
|--------------|-------------------|------------|------|-----|
|              |                   | kW         | HP   |     |
| NKV 6/2 6 S  | 220-277/380-480 V | 0,55       | 0,75 | 71  |
| NKV 6/3 6 S  | 220-277/380-480 V | 0,75       | 1,00 | 80  |
| NKV 6/4 6 S  | 220-277/380-480 V | 1,10       | 1,50 | 80  |
| NKV 6/5 6 S  | 220-277/380-480 V | 1,10       | 1,50 | 80  |
| NKV 6/6 6 S  | 220-277/380-480 V | 1,50       | 2,00 | 90  |
| NKV 6/7 6 S  | 220-277/380-480 V | 1,50       | 2,00 | 90  |
| NKV 6/8 6 S  | 220-277/380-480 V | 2,20       | 3,00 | 90  |
| NKV 6/9 6 S  | 220-277/380-480 V | 2,20       | 3,00 | 90  |
| NKV 6/10 6 S | 220-277/380-480 V | 2,20       | 3,00 | 90  |
| NKV 6/11 6 S | 220-277/380-480 V | 3,00       | 4,00 | 100 |
| NKV 6/12 6 S | 220-277/380-480 V | 3,00       | 4,00 | 100 |
| NKV 6/13 6 S | 220-277/380-480 V | 3,00       | 4,00 | 100 |

# NKV 6 - MULTISTAGE CENTRIFUGAL ELECTRIC PUMPS WITH VERTICAL AXIS, FOR CIVIL AND INDUSTRIAL PRESSURIZATION UNITSE

Liquid temperature range: from - 30°C to +120°C - Maximum working pressure: 25 bar (2500 kPa)

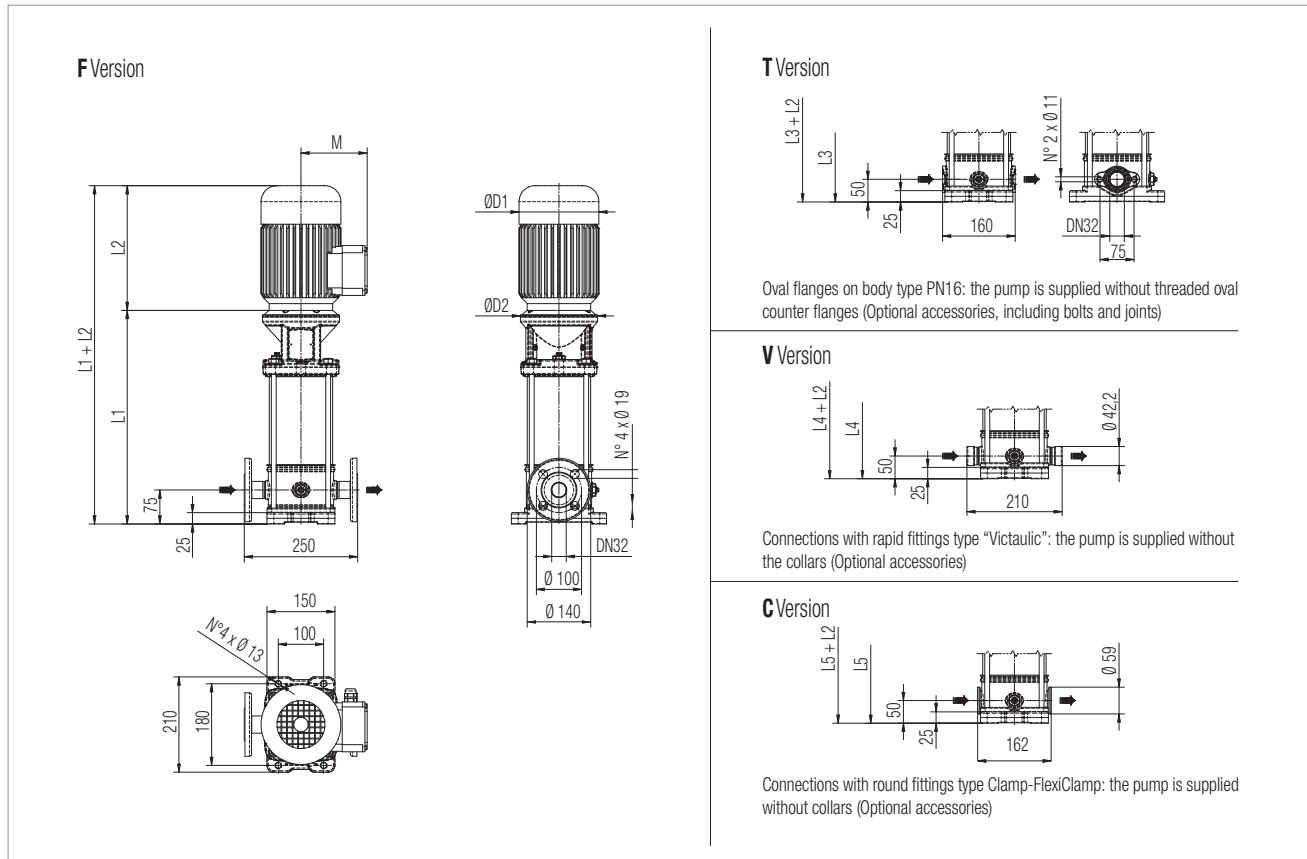


The performance curves are based on kinematic viscosity values = 1 mm²/s and density equivalent to 1000 kg/m³. Tolerance of curves to ISO 9906.

| MODEL        | VOLTAGE<br>50 Hz  | P2 NOMINAL |      | MEC |
|--------------|-------------------|------------|------|-----|
|              |                   | kW         | HP   |     |
| NKV 6/14 6 S | 220-277/380-480 V | 3,00       | 4,00 | 100 |
| NKV 6/15 6 S | 220-277/380-480 V | 4,00       | 5,50 | 112 |
| NKV 6/16 6 S | 220-277/380-480 V | 4,00       | 5,50 | 112 |
| NKV 6/17 6 S | 220-277/380-480 V | 4,00       | 5,50 | 112 |
| NKV 6/18 6 S | 220-277/380-480 V | 4,00       | 5,50 | 112 |
| NKV 6/19 6 S | 220-277/380-480 V | 5,50       | 7,50 | 132 |
| NKV 6/20 6 S | 220-277/380-480 V | 5,50       | 7,50 | 132 |
| NKV 6/21 6 S | 220-277/380-480 V | 5,50       | 7,50 | 132 |
| NKV 6/23 6 S | 220-277/380-480 V | 5,50       | 7,50 | 132 |

# NKV 6 - MULTISTAGE CENTRIFUGAL ELECTRIC PUMPS WITH VERTICAL AXIS, FOR CIVIL AND INDUSTRIAL PRESSURIZATION UNITS

Liquid temperature range: from - 30°C to +120°C - Maximum working pressure: 25 bar (2500 kPa)

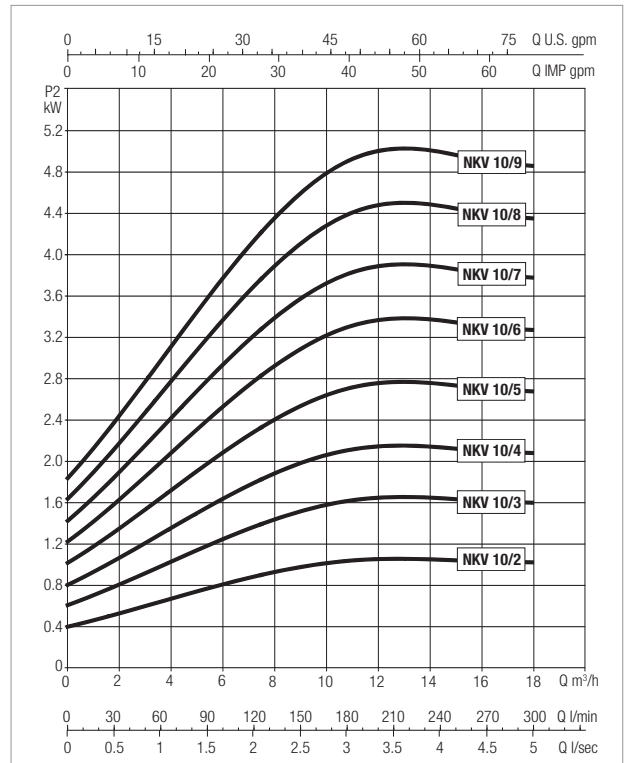
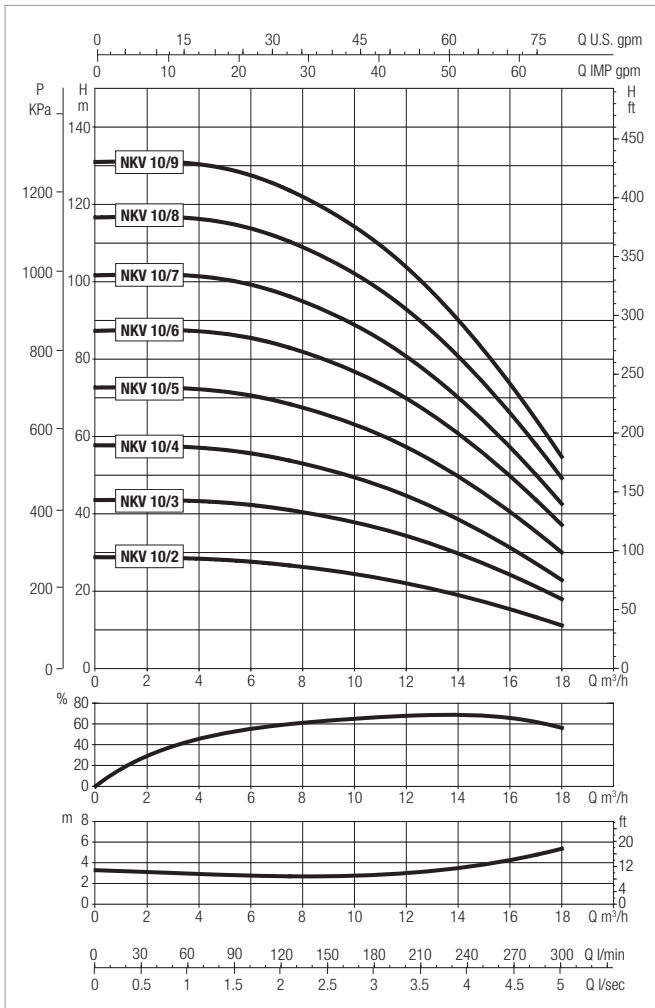


Version **F**: The pump is supplied without counter flanges (optional accessories, including joints and bolts).

| MODEL        | DNA | DNM | L1 F mm | L2 mm | L3 T mm | L4 V mm | L5 C mm | M mm | D1 mm | D2 mm | L1+L2 mm | H mm | Interax mm | WEIGHT Kg |
|--------------|-----|-----|---------|-------|---------|---------|---------|------|-------|-------|----------|------|------------|-----------|
| NKV 6/2 6 S  | 32  | 32  | 320     | 216   | 295     | 295     | 295     | 110  | 139   | 170   | 536      | 536  | 250        | 18,2      |
| NKV 6/3 6 S  | 32  | 32  | 346     | 232   | 321     | 321     | 321     | 129  | 160   | 170   | 578      | 578  | 250        | 22,0      |
| NKV 6/4 6 S  | 32  | 32  | 372     | 232   | 347     | 347     | 347     | 129  | 160   | 170   | 604      | 604  | 250        | 24,1      |
| NKV 6/5 6 S  | 32  | 32  | 398     | 232   | 373     | 373     | 373     | 129  | 160   | 170   | 630      | 630  | 250        | 24,6      |
| NKV 6/6 6 S  | 32  | 32  | 434     | 267   | 409     | 409     | 409     | 138  | 180   | 170   | 701      | 701  | 250        | 28,5      |
| NKV 6/7 6 S  | 32  | 32  | 460     | 267   | 435     | 435     | 435     | 138  | 180   | 170   | 727      | 727  | 250        | 29,0      |
| NKV 6/8 6 S  | 32  | 32  | 486     | 267   | 461     | 461     | 461     | 138  | 180   | 170   | 753      | 753  | 250        | 31,5      |
| NKV 6/9 6 S  | 32  | 32  | 512     | 267   | 487     | 487     | 487     | 138  | 180   | 170   | 779      | 779  | 250        | 32,0      |
| NKV 6/10 6 S | 32  | 32  | 538     | 267   | 513     | 513     | 513     | 138  | 180   | 170   | 805      | 805  | 250        | 32,5      |
| NKV 6/11 6 S | 32  | 32  | 574     | 290   | 549     | 549     | 549     | 138  | 180   | 170   | 864      | 864  | 250        | 36,0      |
| NKV 6/12 6 S | 32  | 32  | 600     | 290   | 575     | 575     | 575     | 138  | 180   | 170   | 890      | 890  | 250        | 36,5      |
| NKV 6/13 6 S | 32  | 32  | 626     | 290   | 601     | 601     | 601     | 138  | 180   | 170   | 916      | 916  | 250        | 37,0      |
| NKV 6/14 6 S | 32  | 32  | 652     | 290   | 627     | 627     | 627     | 138  | 180   | 170   | 942      | 942  | 250        | 37,5      |
| NKV 6/15 6 S | 32  | 32  | 678     | 306   | -       | 653     | 653     | 145  | 196   | 170   | 984      | 984  | 250        | 42,8      |
| NKV 6/16 6 S | 32  | 32  | 704     | 306   | -       | 679     | 679     | 145  | 196   | 170   | 1010     | 1010 | 250        | 43,3      |
| NKV 6/17 6 S | 32  | 32  | 730     | 306   | -       | 705     | 705     | 145  | 196   | 170   | 1036     | 1036 | 250        | 43,8      |
| NKV 6/18 6 S | 32  | 32  | 756     | 306   | -       | 731     | 731     | 145  | 196   | 170   | 1062     | 1062 | 250        | 44,3      |
| NKV 6/19 6 S | 32  | 32  | 958     | 328   | -       | 933     | 933     | 160  | 225   | 300   | 1286     | 1286 | 250        | 75,5      |
| NKV 6/20 6 S | 32  | 32  | 984     | 328   | -       | 959     | 959     | 160  | 225   | 300   | 1312     | 1312 | 250        | 76,0      |
| NKV 6/21 6 S | 32  | 32  | 1010    | 328   | -       | 985     | 985     | 160  | 225   | 300   | 1338     | 1338 | 250        | 76,5      |
| NKV 6/23 6 S | 32  | 32  | 1062    | 328   | -       | 1037    | 1037    | 160  | 225   | 300   | 1390     | 1390 | 250        | 77,5      |

# NKV 10 - MULTISTAGE CENTRIFUGAL ELECTRIC PUMPS WITH VERTICAL AXIS, FOR CIVIL AND INDUSTRIAL PRESSURIZATION UNITS

Liquid temperature range: from - 30°C to +120°C - Maximum working pressure: 25 bar (2500 kPa)



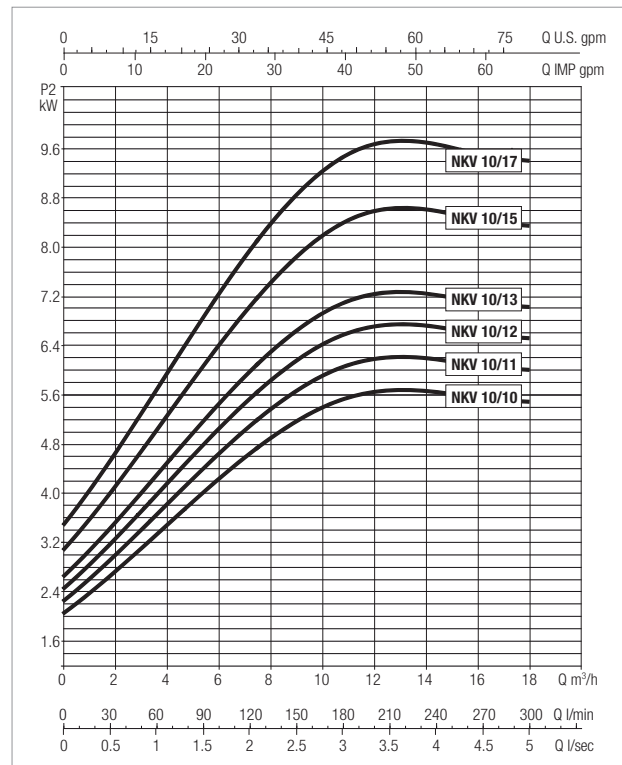
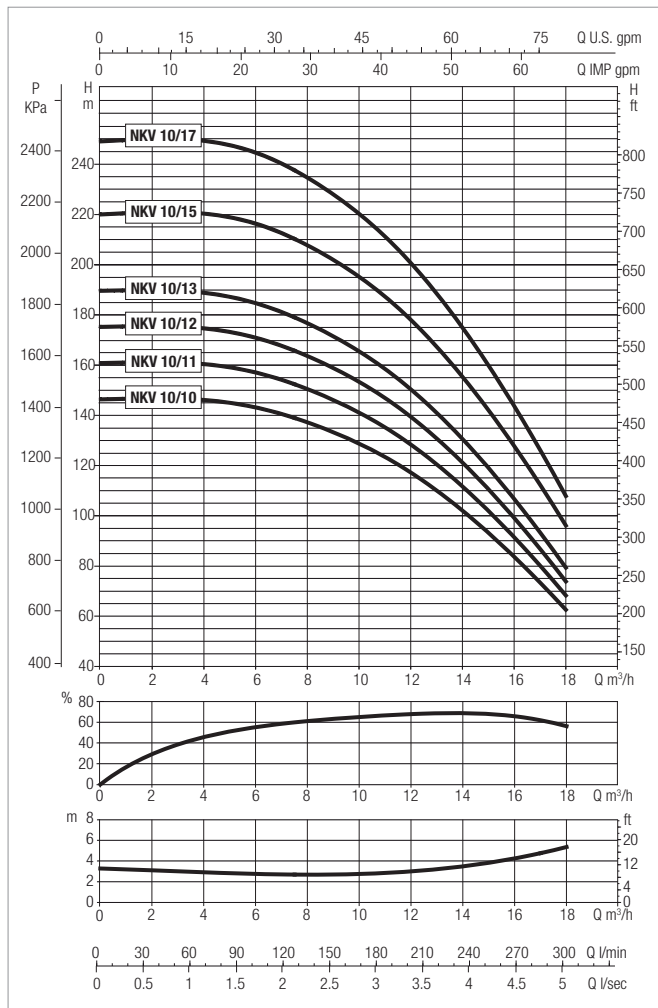
The performance curves are based on kinematic viscosity values = 1 mm²/s and density equivalent to 1000 kg/m³. Tolerance of curves to ISO 9906.

| MODEL        | VOLTAGE<br>50 Hz  | P2 NOMINAL |      | MEC |
|--------------|-------------------|------------|------|-----|
|              |                   | kW         | HP   |     |
| NKV 10/2 6 S | 220-277/380-480 V | 1,10       | 1,50 | 80  |
| NKV 10/3 6 S | 220-277/380-480 V | 2,20       | 3,00 | 90  |
| NKV 10/4 6 S | 220-277/380-480 V | 2,20       | 3,00 | 90  |
| NKV 10/5 6 S | 220-277/380-480 V | 3,00       | 4,00 | 100 |
| NKV 10/6 6 S | 220-277/380-480 V | 4,00       | 5,50 | 112 |
| NKV 10/7 6 S | 220-277/380-480 V | 4,00       | 5,50 | 112 |
| NKV 10/8 6 S | 220-277/380-480 V | 5,50       | 7,50 | 132 |
| NKV 10/9 6 S | 220-277/380-480 V | 5,50       | 7,50 | 132 |



# NKV 10 - MULTISTAGE CENTRIFUGAL ELECTRIC PUMPS WITH VERTICAL AXIS, FOR CIVIL AND INDUSTRIAL PRESSURIZATION UNITS

Liquid temperature range: from - 30°C to +120°C - Maximum working pressure: 25 bar (2500 kPa)

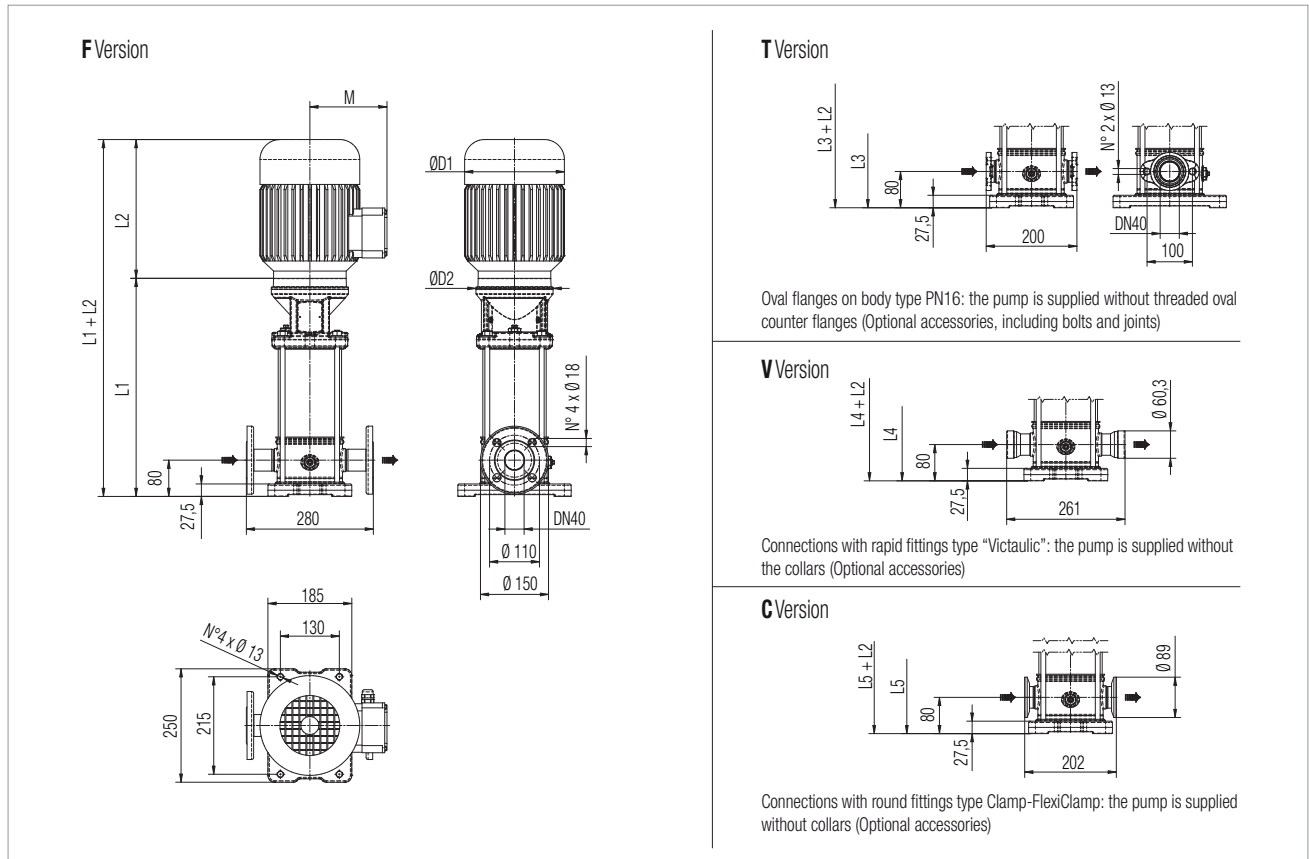


The performance curves are based on kinematic viscosity values = 1 mm²/s and density equivalent to 1000 kg/m³. Tolerance of curves to ISO 9906.

| MODEL         | VOLTAGE<br>50 Hz  | P2 NOMINAL |       | MEC |
|---------------|-------------------|------------|-------|-----|
|               |                   | kW         | HP    |     |
| NKV 10/10 6 S | 220-277/380-480 V | 7,50       | 10,00 | 132 |
| NKV 10/11 6 S | 220-277/380-480 V | 7,50       | 10,00 | 132 |
| NKV 10/12 6 S | 220-277/380-480 V | 7,50       | 10,00 | 132 |
| NKV 10/13 6 S | 220-277/380-480 V | 7,50       | 10,00 | 132 |
| NKV 10/15 6 S | 220-277/380-480 V | 11,00      | 15,00 | 160 |
| NKV 10/17 6 S | 220-277/380-480 V | 11,00      | 15,00 | 160 |

# NKV 10 - MULTISTAGE CENTRIFUGAL ELECTRICPUMPS WITH VERTICAL AXIS, FOR CIVIL AND INDUSTRIAL PRESSURIZATION UNITS

Liquid temperature range: from - 30°C to +120°C - Maximum working pressure: 25 bar (2500 kPa)

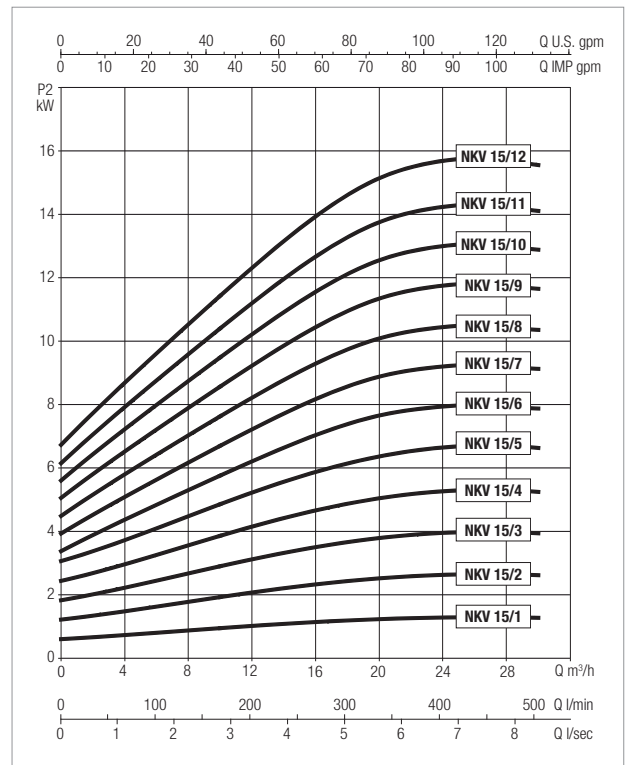
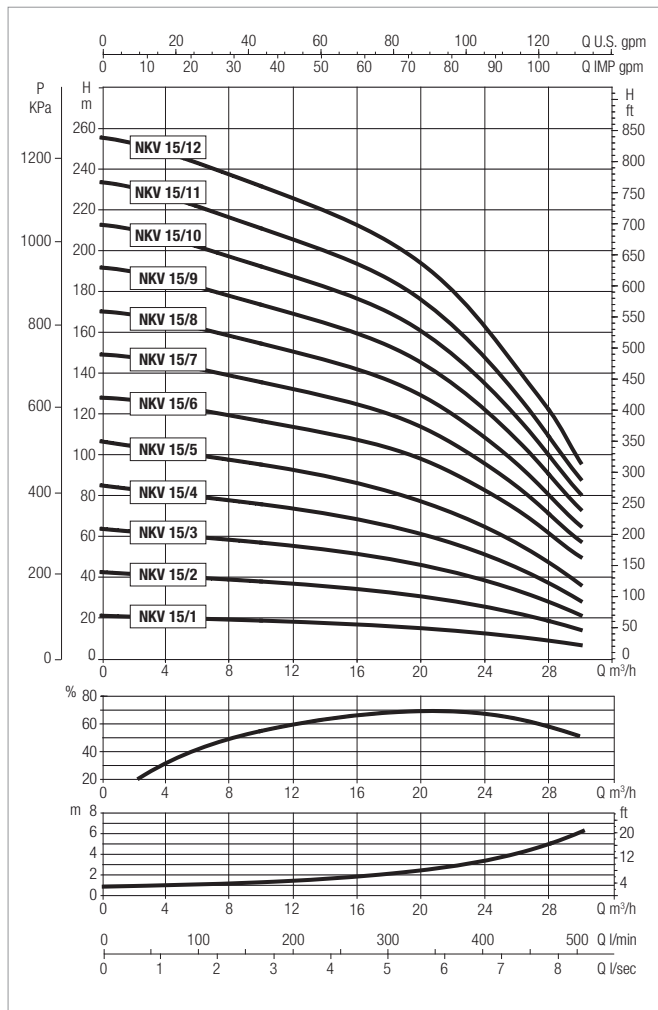


Version **F**: The pump is supplied without counter flanges (optional accessories, including joints and bolts).

| MODEL         | DNA | DNM | L1<br>F<br>mm | L2<br>mm | L3<br>T<br>mm | L4<br>V<br>mm | L5<br>C<br>mm | M<br>mm | D1<br>mm | D2<br>mm | L1+L2<br>mm | H<br>mm | Interax<br>mm | WEIGHT<br>Kg |
|---------------|-----|-----|---------------|----------|---------------|---------------|---------------|---------|----------|----------|-------------|---------|---------------|--------------|
| NKV 10/2 6 S  | 40  | 40  | 341           | 232      | 341           | 341           | 341           | 129     | 160      | 170      | 573         | 573     | 280           | 24,1         |
| NKV 10/3 6 S  | 40  | 40  | 381           | 267      | 381           | 381           | 381           | 138     | 180      | 170      | 648         | 648     | 280           | 30,5         |
| NKV 10/4 6 S  | 40  | 40  | 411           | 267      | 411           | 411           | 411           | 138     | 180      | 170      | 678         | 678     | 280           | 31,0         |
| NKV 10/5 6 S  | 40  | 40  | 451           | 290      | 451           | 451           | 451           | 138     | 180      | 170      | 741         | 741     | 280           | 34,5         |
| NKV 10/6 6 S  | 40  | 40  | 481           | 306      | 481           | 481           | 481           | 145     | 196      | 170      | 787         | 787     | 280           | 39,8         |
| NKV 10/7 6 S  | 40  | 40  | 511           | 306      | 511           | 511           | 511           | 145     | 196      | 170      | 817         | 817     | 280           | 40,3         |
| NKV 10/8 6 S  | 40  | 40  | 716           | 328      | 716           | 716           | 716           | 160     | 225      | 300      | 1044        | 1044    | 280           | 72,0         |
| NKV 10/9 6 S  | 40  | 40  | 746           | 328      | 746           | 746           | 746           | 160     | 225      | 300      | 1074        | 1074    | 280           | 72,5         |
| NKV 10/10 6 S | 40  | 40  | 776           | 350      | 776           | 776           | 776           | 160     | 225      | 300      | 1126        | 1126    | 280           | 75,0         |
| NKV 10/11 6 S | 40  | 40  | 806           | 350      | -             | 806           | 806           | 160     | 225      | 300      | 1156        | 1156    | 280           | 75,5         |
| NKV 10/12 6 S | 40  | 40  | 836           | 350      | -             | 836           | 836           | 160     | 225      | 300      | 1186        | 1186    | 280           | 76,5         |
| NKV 10/13 6 S | 40  | 40  | 866           | 350      | -             | 866           | 866           | 160     | 225      | 300      | 1216        | 1216    | 280           | 77,0         |
| NKV 10/15 6 S | 40  | 40  | 946           | 425      | -             | 946           | 946           | 194     | 248      | 350      | 1371        | 1371    | 280           | 103,0        |
| NKV 10/17 6 S | 40  | 40  | 1006          | 425      | -             | 1006          | 1006          | 194     | 248      | 350      | 1431        | 1431    | 280           | 104,0        |

# NKV 15 - MULTISTAGE CENTRIFUGAL ELECTRIC PUMPS WITH VERTICAL AXIS, FOR CIVIL AND INDUSTRIAL PRESSURIZATION UNITS

Liquid temperature range: from - 30°C to +120°C - Maximum working pressure: 25 bar (2500 kPa)

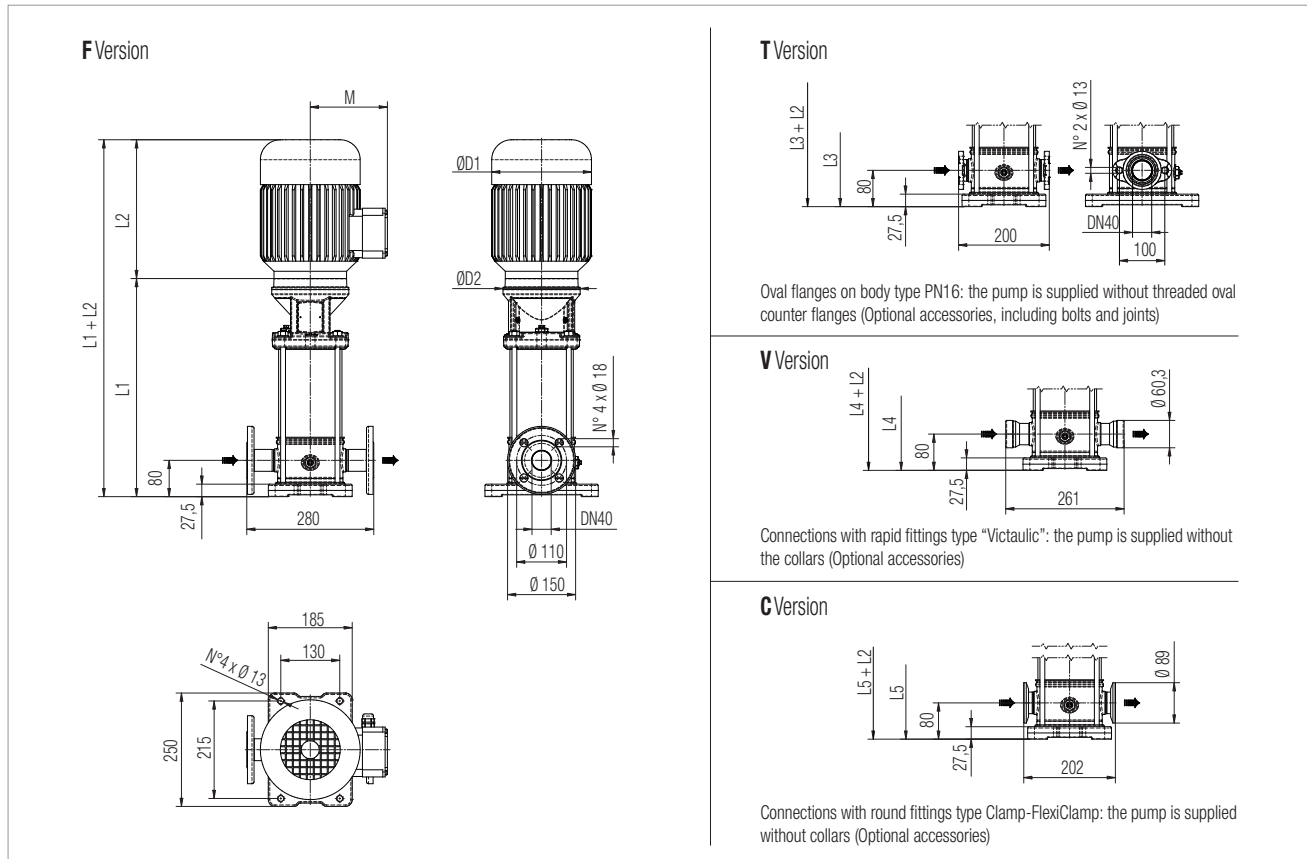


The performance curves are based on kinematic viscosity values = 1 mm<sup>2</sup>/s and density equivalent to 1000 kg/m<sup>3</sup>. Tolerance of curves to ISO 9906.

| MODEL         | VOLTAGE<br>50 Hz  | P2 NOMINAL |       | MEC |
|---------------|-------------------|------------|-------|-----|
|               |                   | kW         | HP    |     |
| NKV 15/1 6 S  | 220-277/380-480 V | 1,50       | 2,00  | 90  |
| NKV 15/2 6 S  | 220-277/380-480 V | 3,00       | 4,00  | 100 |
| NKV 15/3 6 S  | 220-277/380-480 V | 4,00       | 5,50  | 112 |
| NKV 15/4 6 S  | 220-277/380-480 V | 5,50       | 7,50  | 132 |
| NKV 15/5 6 S  | 220-277/380-480 V | 7,50       | 10,00 | 132 |
| NKV 15/6 6 S  | 220-277/380-480 V | 11,00      | 15,00 | 160 |
| NKV 15/7 6 S  | 220-277/380-480 V | 11,00      | 15,00 | 160 |
| NKV 15/8 6 S  | 220-277/380-480 V | 11,00      | 15,00 | 160 |
| NKV 15/9 6 S  | 220-277/380-480 V | 15,00      | 20,00 | 160 |
| NKV 15/10 6 S | 220-277/380-480 V | 15,00      | 20,00 | 160 |
| NKV 15/11 6 S | 220-277/380-480 V | 15,00      | 20,00 | 160 |
| NKV 15/12 6 S | 220-277/380-480 V | 18,50      | 25,00 | 160 |

# NKV 15 - MULTISTAGE CENTRIFUGAL ELECTRIC PUMPS WITH VERTICAL AXIS, FOR CIVIL AND INDUSTRIAL PRESSURIZATION UNITS

Liquid temperature range: from - 30°C to +120°C - Maximum working pressure: 25 bar (2500 kPa)

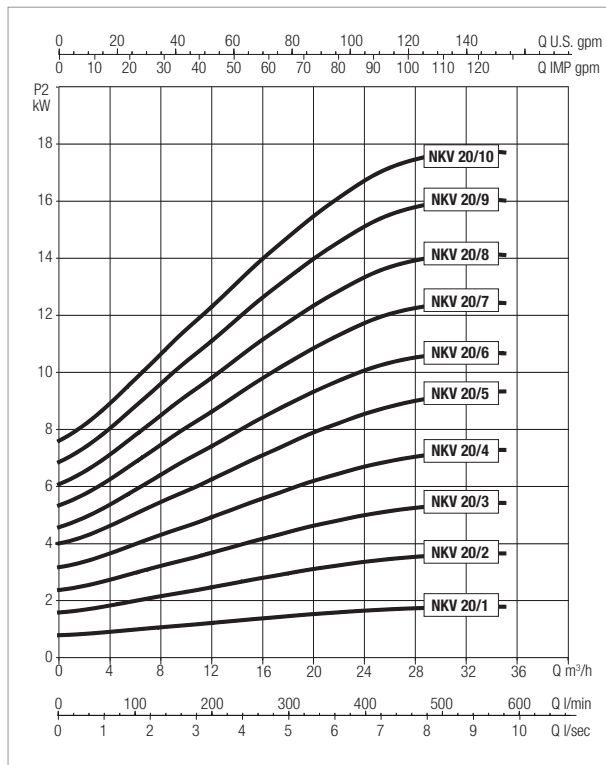
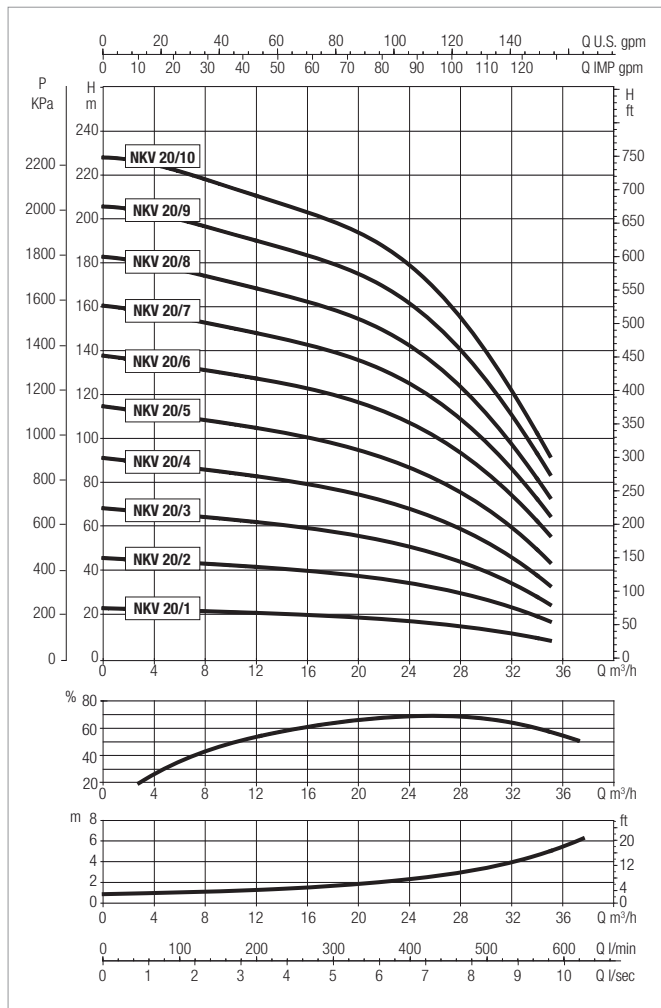


Version **F**: The pump is supplied without counter flanges (optional accessories, including joints and bolts).

| MODEL         | DNA | DNM | L1<br>F<br>mm | L2<br>mm | L3<br>T<br>mm | L4<br>V<br>mm | L5<br>C<br>mm | M<br>mm | D1<br>mm | D2<br>mm | L1+L2<br>mm | H<br>mm | Interax<br>mm | WEIGHT<br>Kg |
|---------------|-----|-----|---------------|----------|---------------|---------------|---------------|---------|----------|----------|-------------|---------|---------------|--------------|
| NKV 15/1 6 S  | 50  | 50  | 411           | 267      | 411           | 411           | 411           | 138     | 180      | 170      | 678         | 678     | 300           | 34,0         |
| NKV 15/2 6 S  | 50  | 50  | 421           | 290      | 421           | 421           | 421           | 138     | 180      | 170      | 711         | 711     | 300           | 40,0         |
| NKV 15/3 6 S  | 50  | 50  | 469           | 306      | 469           | 469           | 469           | 145     | 196      | 170      | 775         | 775     | 300           | 45,8         |
| NKV 15/4 6 S  | 50  | 50  | 704           | 328      | 704           | 704           | 704           | 160     | 225      | 300      | 1032        | 1032    | 300           | 79,0         |
| NKV 15/5 6 S  | 50  | 50  | 752           | 350      | 752           | 752           | 752           | 160     | 225      | 300      | 1102        | 1102    | 300           | 82,5         |
| NKV 15/6 6 S  | 50  | 50  | 820           | 425      | 820           | 820           | 820           | 194     | 248      | 350      | 1245        | 1245    | 300           | 108,5        |
| NKV 15/7 6 S  | 50  | 50  | 868           | 425      | 868           | 868           | 868           | 194     | 248      | 350      | 1293        | 1293    | 300           | 110,0        |
| NKV 15/8 6 S  | 50  | 50  | 916           | 425      | -             | 916           | 916           | 194     | 248      | 350      | 1341        | 1341    | 300           | 111,5        |
| NKV 15/9 6 S  | 50  | 50  | 964           | 476      | -             | 964           | 964           | 194     | 248      | 350      | 1440        | 1440    | 300           | 119,0        |
| NKV 15/10 6 S | 50  | 50  | 1012          | 476      | -             | 1012          | 1012          | 194     | 248      | 350      | 1488        | 1488    | 300           | 120,0        |
| NKV 15/11 6 S | 50  | 50  | 1060          | 476      | -             | 1060          | 1060          | 194     | 248      | 350      | 1536        | 1536    | 300           | 121,5        |
| NKV 15/12 6 S | 50  | 50  | 1108          | 542      | -             | 1108          | 1108          | 238     | 317      | 350      | 1650        | 1650    | 300           | 156,5        |

# NKV 20 - MULTISTAGE CENTRIFUGAL ELECTRIC PUMPS WITH VERTICAL AXIS, FOR CIVIL AND INDUSTRIAL PRESSURIZATION UNITS

Liquid temperature range: from - 30°C to +120°C - Maximum working pressure: 25 bar (2500 kPa)

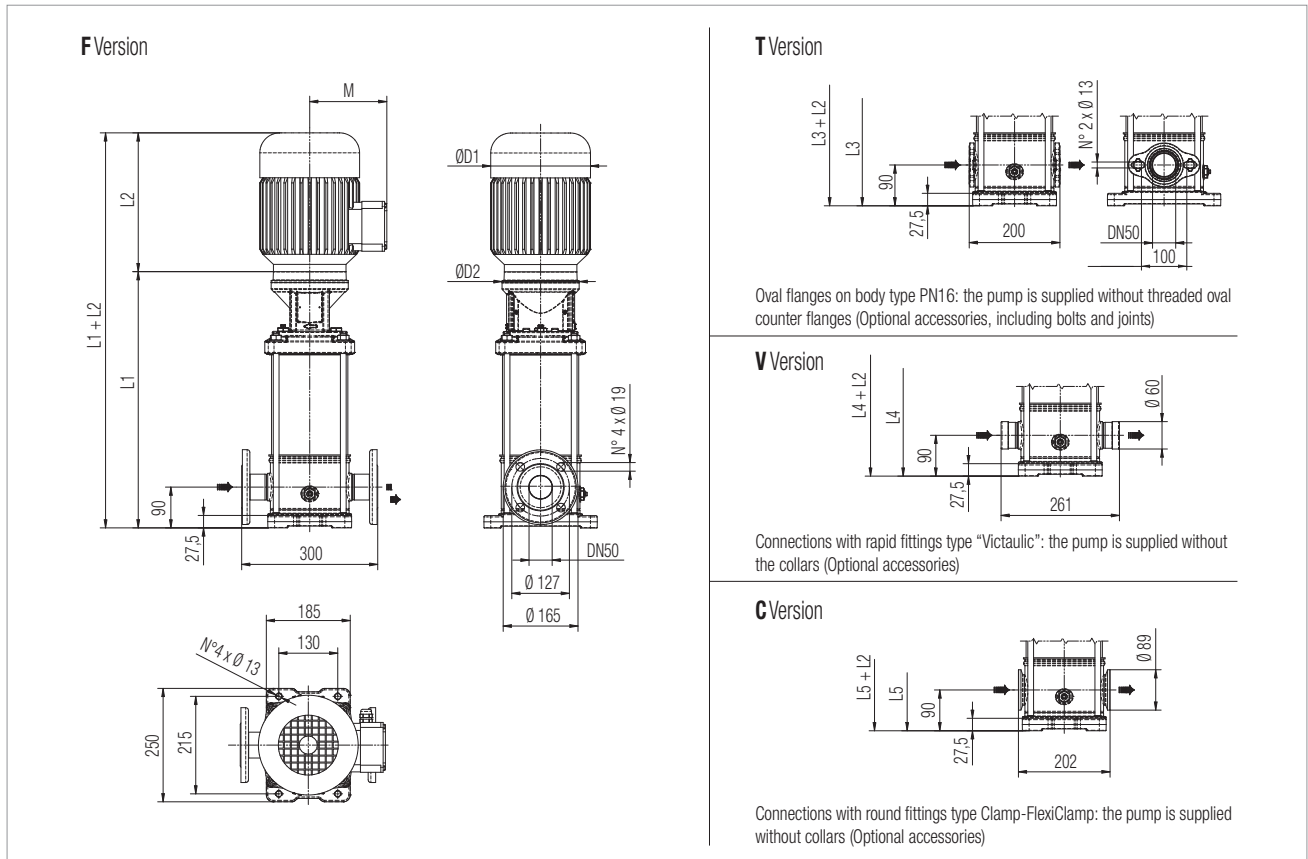


The performance curves are based on kinematic viscosity values = 1 mm²/s and density equivalent to 1000 kg/m³. Tolerance of curves to ISO 9906.

| MODEL         | VOLTAGE<br>50 Hz  | P2 NOMINAL |       | MEC |
|---------------|-------------------|------------|-------|-----|
|               |                   | kW         | HP    |     |
| NKV 20/1 6 S  | 220-277/380-480 V | 2,20       | 3,00  | 90  |
| NKV 20/2 6 S  | 220-277/380-480 V | 4,00       | 5,50  | 112 |
| NKV 20/3 6 S  | 220-277/380-480 V | 5,50       | 7,50  | 132 |
| NKV 20/4 6 S  | 220-277/380-480 V | 7,50       | 10,00 | 132 |
| NKV 20/5 6 S  | 220-277/380-480 V | 11,00      | 15,00 | 160 |
| NKV 20/6 6 S  | 220-277/380-480 V | 11,00      | 15,00 | 160 |
| NKV 20/7 6 S  | 220-277/380-480 V | 15,00      | 20,00 | 160 |
| NKV 20/8 6 S  | 220-277/380-480 V | 15,00      | 20,00 | 160 |
| NKV 20/9 6 S  | 220-277/380-480 V | 18,50      | 25,00 | 160 |
| NKV 20/10 6 S | 220-277/380-480 V | 18,50      | 25,00 | 160 |

# NKV 20 - MULTISTAGE CENTRIFUGAL ELECTRICPUMPS WITH VERTICAL AXIS, FOR CIVIL AND INDUSTRIAL PRESSURIZATION UNITS

Liquid temperature range: from - 30°C to +120°C - Maximum working pressure: 25 bar (2500 kPa)



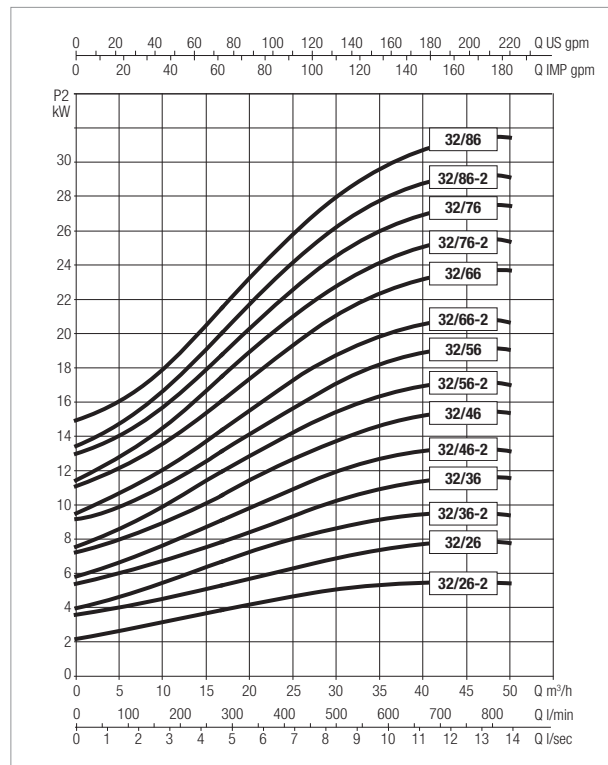
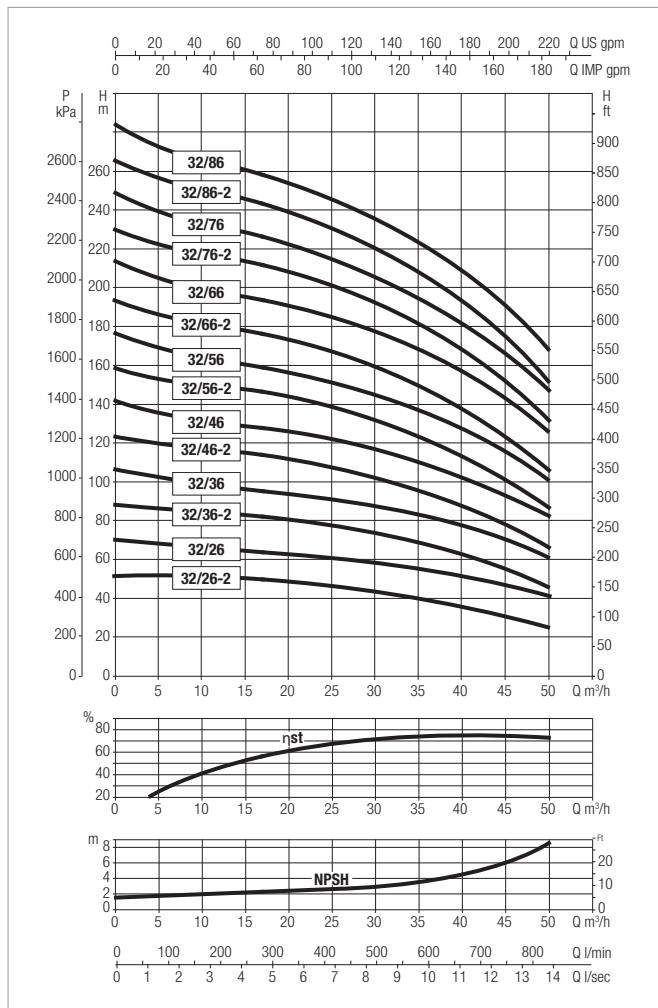
Version **F**: The pump is supplied without counter flanges (optional accessories, including joints and bolts).

| MODEL         | DNA | DNM | L1<br>F<br>mm | L2<br>mm | L3<br>T<br>mm | L4<br>V<br>mm | L5<br>C<br>mm | M<br>mm | D1<br>mm | D2<br>mm | L1+L2<br>mm | H<br>mm | Interax<br>mm | WEIGHT<br>Kg |
|---------------|-----|-----|---------------|----------|---------------|---------------|---------------|---------|----------|----------|-------------|---------|---------------|--------------|
| NKV 20/1 6 S  | 50  | 50  | 411           | 267      | 411           | 411           | 411           | 138     | 180      | 170      | 678         | 678     | 300           | 36,0         |
| NKV 20/2 6 S  | 50  | 50  | 421           | 306      | 421           | 421           | 421           | 145     | 196      | 170      | 727         | 727     | 300           | 44,8         |
| NKV 20/3 6 S  | 50  | 50  | 656           | 328      | 656           | 656           | 656           | 160     | 225      | 300      | 984         | 984     | 300           | 77,5         |
| NKV 20/4 6 S  | 50  | 50  | 704           | 350      | 704           | 704           | 704           | 160     | 225      | 300      | 1054        | 1054    | 300           | 81,0         |
| NKV 20/5 6 S  | 50  | 50  | 772           | 425      | 772           | 772           | 772           | 194     | 248      | 350      | 1197        | 1197    | 300           | 107,0        |
| NKV 20/6 6 S  | 50  | 50  | 820           | 425      | 820           | 820           | 820           | 194     | 248      | 350      | 1245        | 1245    | 300           | 108,5        |
| NKV 20/7 6 S  | 50  | 50  | 868           | 476      | 868           | 868           | 868           | 194     | 248      | 350      | 1344        | 1344    | 300           | 116,0        |
| NKV 20/8 6 S  | 50  | 50  | 916           | 476      | -             | 916           | 916           | 194     | 248      | 350      | 1392        | 1392    | 300           | 117,5        |
| NKV 20/9 6 S  | 50  | 50  | 964           | 542      | -             | 964           | 964           | 238     | 317      | 350      | 1506        | 1506    | 300           | 152,5        |
| NKV 20/10 6 S | 50  | 50  | 1012          | 542      | -             | 1012          | 1012          | 238     | 317      | 350      | 1554        | 1554    | 300           | 153,5        |



# NKV 32 - MULTISTAGE CENTRIFUGAL ELECTRIC PUMPS WITH VERTICAL AXIS, FOR CIVIL AND INDUSTRIAL PRESSURIZATION UNITS

Liquid temperature range: from - 30°C to +120°C - Maximum working pressure: 32 bar (3200 kPa)

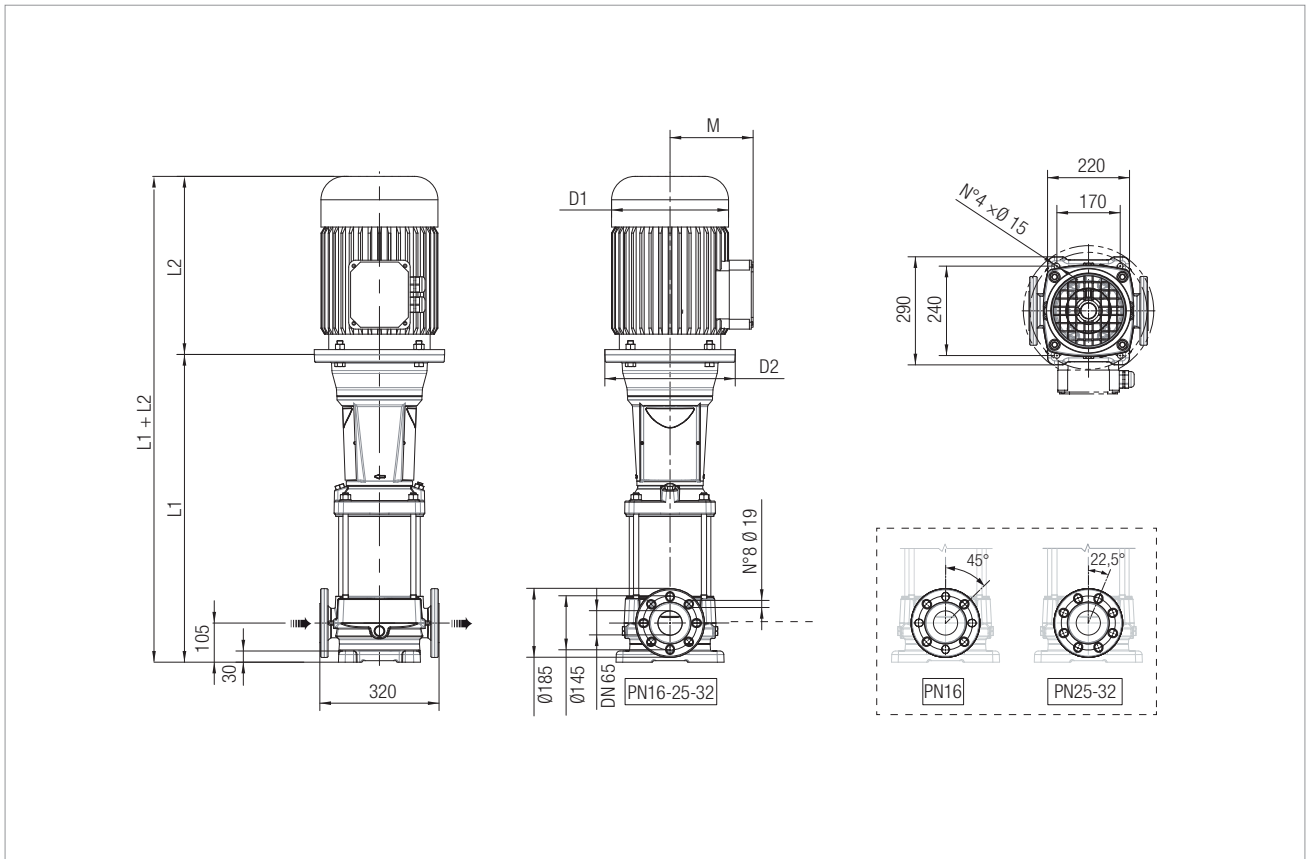


The performance curves are based on kinematic viscosity values = 1 mm²/s and density aequivalent to 1000 kg/m³. Tolerance of curves to ISO 9906.

| MODEL                         | VOLTAGE<br>50 Hz  | P2 NOMINAL |       | MEC |
|-------------------------------|-------------------|------------|-------|-----|
|                               |                   | kW         | HP    |     |
| NKV 32/26-2 T 220-277/380-480 | 220-277/380-480 V | 5,50       | 7,50  | 132 |
| NKV 32/26 T 220-277/380-480   | 220-277/380-480 V | 11,00      | 15,00 | 160 |
| NKV 32/36-2 T 220-277/380-480 | 220-277/380-480 V | 11,00      | 15,00 | 160 |
| NKV 32/36 T 220-277/380-480   | 220-277/380-480 V | 15,00      | 20,00 | 160 |
| NKV 32/46-2 T 220-277/380-480 | 220-277/380-480 V | 15,00      | 20,00 | 160 |
| NKV 32/46 T 220-277/380-480   | 220-277/380-480 V | 18,50      | 25,00 | 160 |
| NKV 32/56-2 T 220-277/380-480 | 220-277/380-480 V | 18,50      | 25,00 | 160 |
| NKV 32/56 T 220-277/380-480   | 220-277/380-480 V | 22,00      | 30,00 | 180 |
| NKV 32/66-2 T 220-277/380-480 | 220-277/380-480 V | 22,00      | 30,00 | 180 |
| NKV 32/66 T 220-277/380-480   | 220-277/380-480 V | 30,00      | 40,00 | 200 |
| NKV 32/76-2 T 220-277/380-480 | 220-277/380-480 V | 30,00      | 40,00 | 200 |
| NKV 32/76 T 220-277/380-480   | 220-277/380-480 V | 30,00      | 40,00 | 200 |
| NKV 32/86-2 T 220-277/380-480 | 220-277/380-480 V | 30,00      | 40,00 | 200 |
| NKV 32/86 T 380/480           | 380-480 V         | 37,00      | 50,00 | 200 |

# NKV 32 - MULTISTAGE CENTRIFUGAL ELECTRIC PUMPS WITH VERTICAL AXIS, FOR CIVIL AND INDUSTRIAL PRESSURIZATION UNITS

Liquid temperature range: from - 30°C to +120°C - Maximum working pressure: 32 bar (3200 kPa)

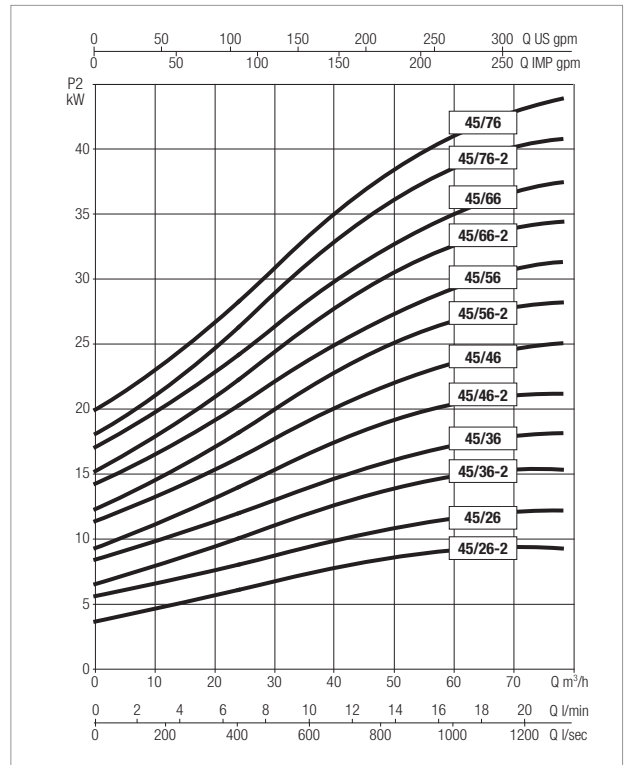
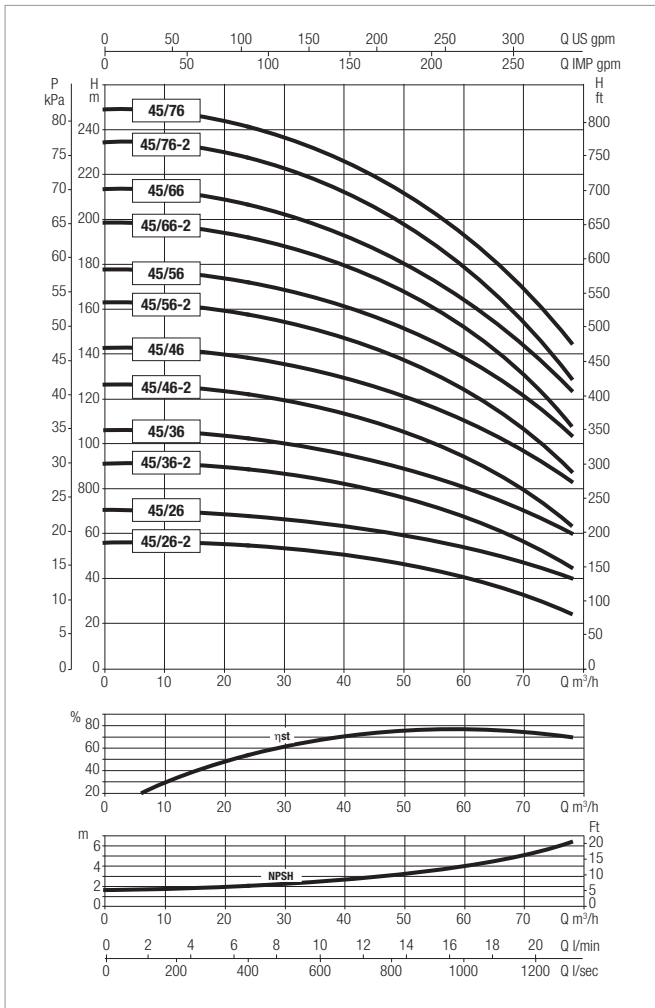


Version F: The pump is supplied without counter flanges (optional accessories, including joints and bolts).

| MODEL                         | DNA | DNM | L1 mm | L2 mm | M mm | D1 mm | D2 mm | L1+L2 mm | H mm | Interax mm | WEIGHT Kg |
|-------------------------------|-----|-----|-------|-------|------|-------|-------|----------|------|------------|-----------|
| NKV 32/26-2 T 220-277/380-480 | 65  | 65  | 724   | 328   | 161  | 225   | 300   | 1052     | 1052 | 320        | 108,5     |
| NKV 32/26 T 220-277/380-480   | 65  | 65  | 744   | 425   | 198  | 248   | 350   | 1169     | 1169 | 320        | 135,5     |
| NKV 32/36-2 T 220-277/380-480 | 65  | 65  | 826   | 425   | 198  | 248   | 350   | 1251     | 1251 | 320        | 139,5     |
| NKV 32/36 T 220-277/380-480   | 65  | 65  | 826   | 476   | 198  | 248   | 350   | 1302     | 1302 | 320        | 145,5     |
| NKV 32/46-2 T 220-277/380-480 | 65  | 65  | 908   | 476   | 198  | 248   | 350   | 1384     | 1384 | 320        | 149,5     |
| NKV 32/46 T 220-277/380-480   | 65  | 65  | 908   | 542   | 238  | 317   | 350   | 1450     | 1450 | 320        | 183,5     |
| NKV 32/56-2 T 220-277/380-480 | 65  | 65  | 990   | 542   | 238  | 317   | 350   | 1532     | 1532 | 320        | 187,5     |
| NKV 32/56 T 220-277/380-480   | 65  | 65  | 990   | 542   | 238  | 317   | 350   | 1532     | 1532 | 320        | 198,5     |
| NKV 32/66-2 T 220-277/380-480 | 65  | 65  | 1072  | 542   | 238  | 317   | 350   | 1614     | 1614 | 320        | 202,5     |
| NKV 32/66 T 220-277/380-480   | 65  | 65  | 1077  | 658   | 300  | 399   | 400   | 1735     | 1735 | 320        | 324,5     |
| NKV 32/76-2 T 220-277/380-480 | 65  | 65  | 1159  | 658   | 300  | 399   | 400   | 1817     | 1817 | 320        | 328,5     |
| NKV 32/76 T 220-277/380-480   | 65  | 65  | 1159  | 658   | 300  | 399   | 400   | 1817     | 1817 | 320        | 328,5     |
| NKV 32/86-2 T 220-277/380-480 | 65  | 65  | 1241  | 658   | 300  | 399   | 400   | 1899     | 1899 | 320        | 332,5     |
| NKV 32/86 T 380/480           | 65  | 65  | 1241  | 658   | 300  | 399   | 400   | 1899     | 1899 | 320        | 346,5     |

# NKV 45 - MULTISTAGE CENTRIFUGAL ELECTRIC PUMPS WITH VERTICAL AXIS, FOR CIVIL AND INDUSTRIAL PRESSURIZATION UNITS

Liquid temperature range: from - 30°C to +120°C - Maximum working pressure: 32 bar (3200 kPa)

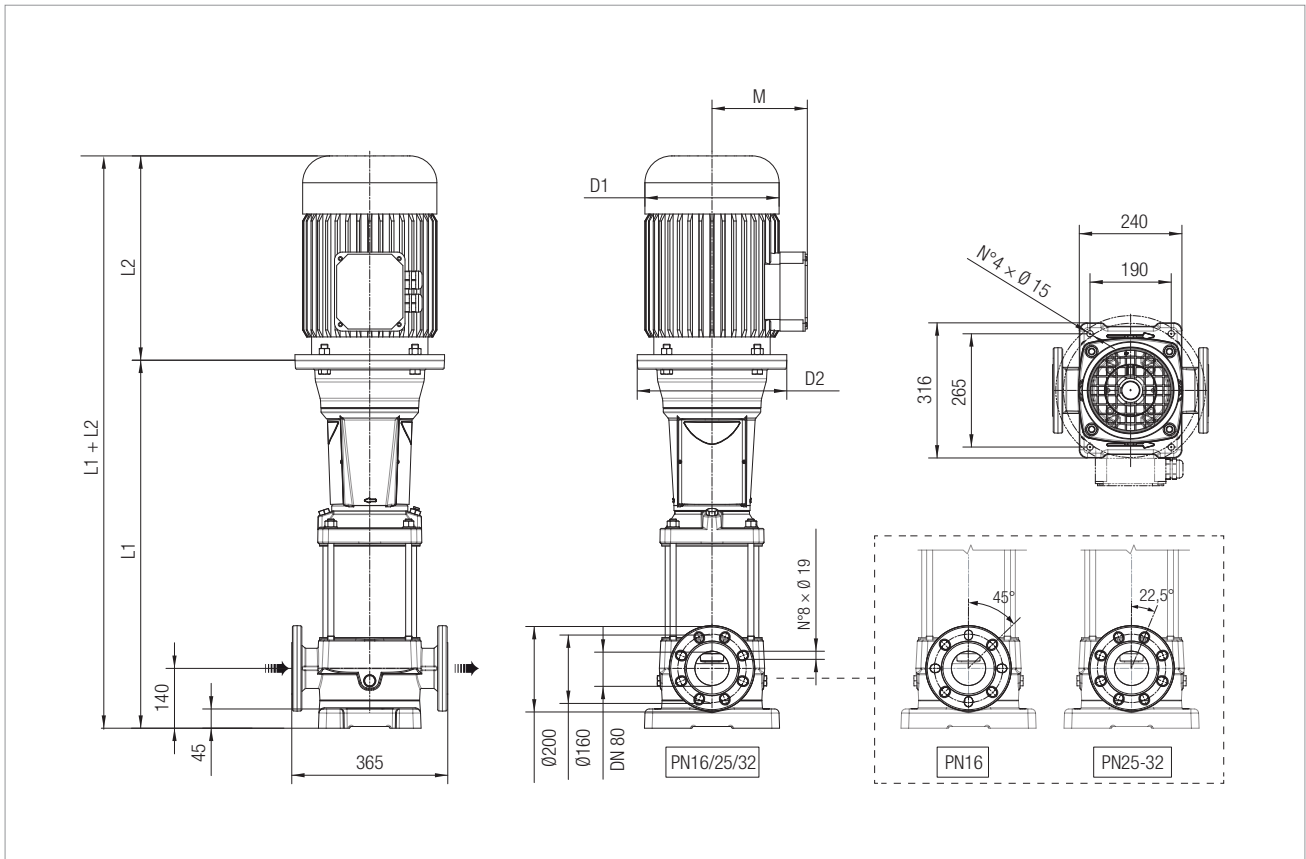


The performance curves are based on kinematic viscosity values = 1 mm²/s and density aequivalent to 1000 kg/m³. Tolerance of curves to ISO 9906.

| MODEL                            | VOLTAGE<br>50 Hz  | P2 NOMINAL |       | MEC |
|----------------------------------|-------------------|------------|-------|-----|
|                                  |                   | KW         | HP    |     |
| NKV 45/26-2 T 220-277/380-480/60 | 220-277/380-480 V | 11,00      | 15,00 | 160 |
| NKV 45/26 T 220-277/380-480/60   | 220-277/380-480 V | 15,00      | 20,00 | 160 |
| NKV 45/36-2 T 220-277/380-480/60 | 220-277/380-480 V | 18,50      | 25,00 | 160 |
| NKV 45/36 T 220-277/380-480/60   | 220-277/380-480 V | 18,50      | 25,00 | 160 |
| NKV 45/46-2 T 220-277/380-480/60 | 220-277/380-480 V | 22,00      | 30,00 | 180 |
| NKV 45/46 T 220-277/380-480/60   | 220-277/380-480 V | 30,00      | 40,00 | 200 |
| NKV 45/56-2 T 220-277/380-480/60 | 220-277/380-480 V | 30,00      | 40,00 | 200 |
| NKV 45/56 T 380/480              | 380-480 V         | 37,00      | 50,00 | 200 |
| NKV 45/66-2 T 380/480            | 380-480 V         | 37,00      | 50,00 | 200 |
| NKV 45/66 T 380/480              | 380-480 V         | 37,00      | 50,00 | 200 |
| NKV 45/76-2 T 380/480            | 380-480 V         | 45,00      | 60,00 | 225 |
| NKV 45/76 T 380/480              | 380-480 V         | 45,00      | 60,00 | 225 |

# NKV 45 - MULTISTAGE CENTRIFUGAL ELECTRIC PUMPS WITH VERTICAL AXIS, FOR CIVIL AND INDUSTRIAL PRESSURIZATION UNITS

Liquid temperature range: from - 30°C to +120°C - Maximum working pressure: 32 bar (3200 kPa)

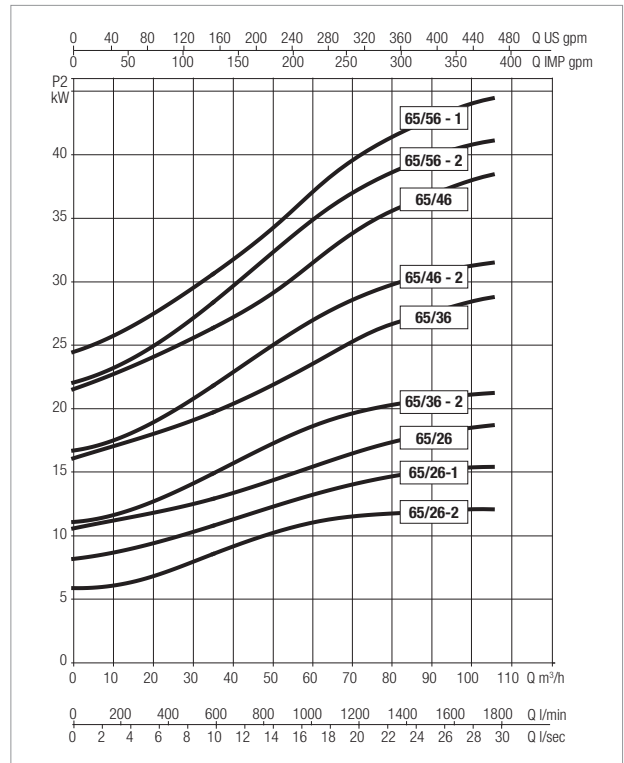
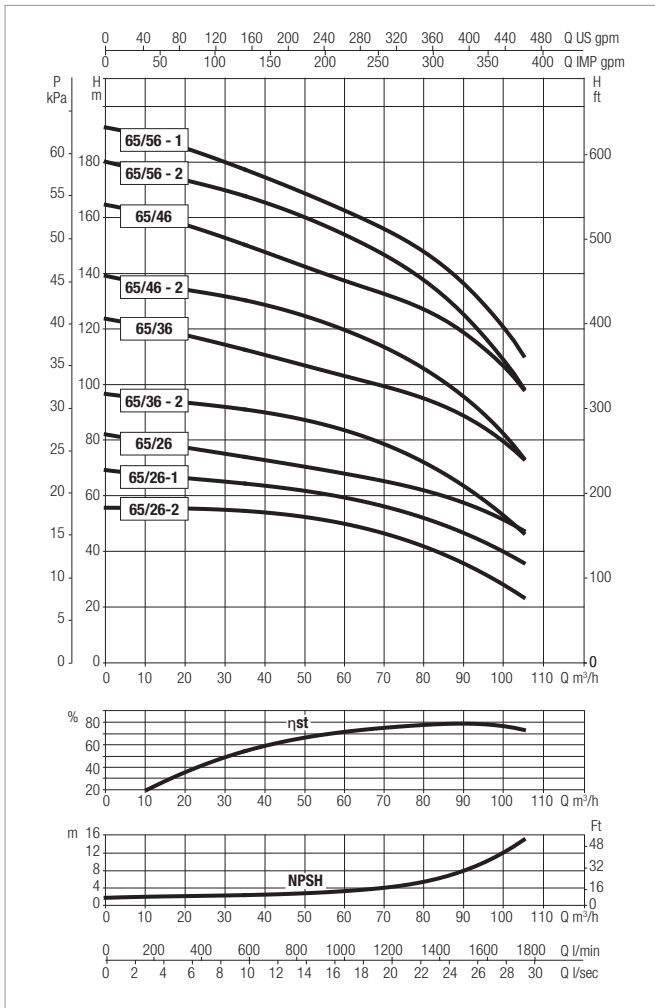


Version F: The pump is supplied without counter flanges (optional accessories, including joints and bolts).

| MODEL                            | DNA | DNM | L1<br>mm | L2<br>mm | M<br>mm | D1<br>mm | D2<br>mm | L1+L2<br>mm | H<br>mm | Interax<br>mm | WEIGHT<br>Kg |
|----------------------------------|-----|-----|----------|----------|---------|----------|----------|-------------|---------|---------------|--------------|
| NKV 45/26-2 T 220-277/380-480/60 | 80  | 80  | 779      | 425      | 198     | 248      | 350      | 1204        | 1204    | 365           | 141,5        |
| NKV 45/26 T 220-277/380-480/60   | 80  | 80  | 779      | 476      | 198     | 248      | 350      | 1255        | 1255    | 365           | 147,5        |
| NKV 45/36-2 T 220-277/380-480/60 | 80  | 80  | 861      | 542      | 238     | 317      | 350      | 1403        | 1403    | 365           | 185,5        |
| NKV 45/36 T 220-277/380-480/60   | 80  | 80  | 861      | 542      | 238     | 317      | 350      | 1403        | 1403    | 365           | 185,5        |
| NKV 45/46-2 T 220-277/380-480/60 | 80  | 80  | 943      | 542      | 238     | 317      | 350      | 1485        | 1485    | 365           | 200,0        |
| NKV 45/46 T 220-277/380-480/60   | 80  | 80  | 948      | 658      | 300     | 399      | 400      | 1606        | 1606    | 365           | 322,0        |
| NKV 45/56-2 T 220-277/380-480/60 | 80  | 80  | 1030     | 658      | 300     | 399      | 400      | 1688        | 1688    | 365           | 326,0        |
| NKV 45/56 T 380/480              | 80  | 80  | 1030     | 658      | 300     | 399      | 400      | 1688        | 1688    | 365           | 340,0        |
| NKV 45/66-2 T 380/480            | 80  | 80  | 1112     | 658      | 300     | 399      | 400      | 1770        | 1770    | 365           | 344,0        |
| NKV 45/66 T 380/480              | 80  | 80  | 1112     | 658      | 300     | 399      | 400      | 1770        | 1770    | 365           | 344,0        |
| NKV 45/76-2 T 380/480            | 80  | 80  | 1194     | 699      | 335     | 465      | 450      | 1893        | 1893    | 365           | 417,0        |
| NKV 45/76 T 380/480              | 80  | 80  | 1194     | 699      | 335     | 465      | 450      | 1893        | 1893    | 365           | 417,0        |

# NKV 65 - MULTISTAGE CENTRIFUGAL ELECTRIC PUMPS WITH VERTICAL AXIS, FOR CIVIL AND INDUSTRIAL PRESSURIZATION UNITS

Liquid temperature range: from - 30°C to +120°C - Maximum working pressure: 25 bar (2500 kPa)

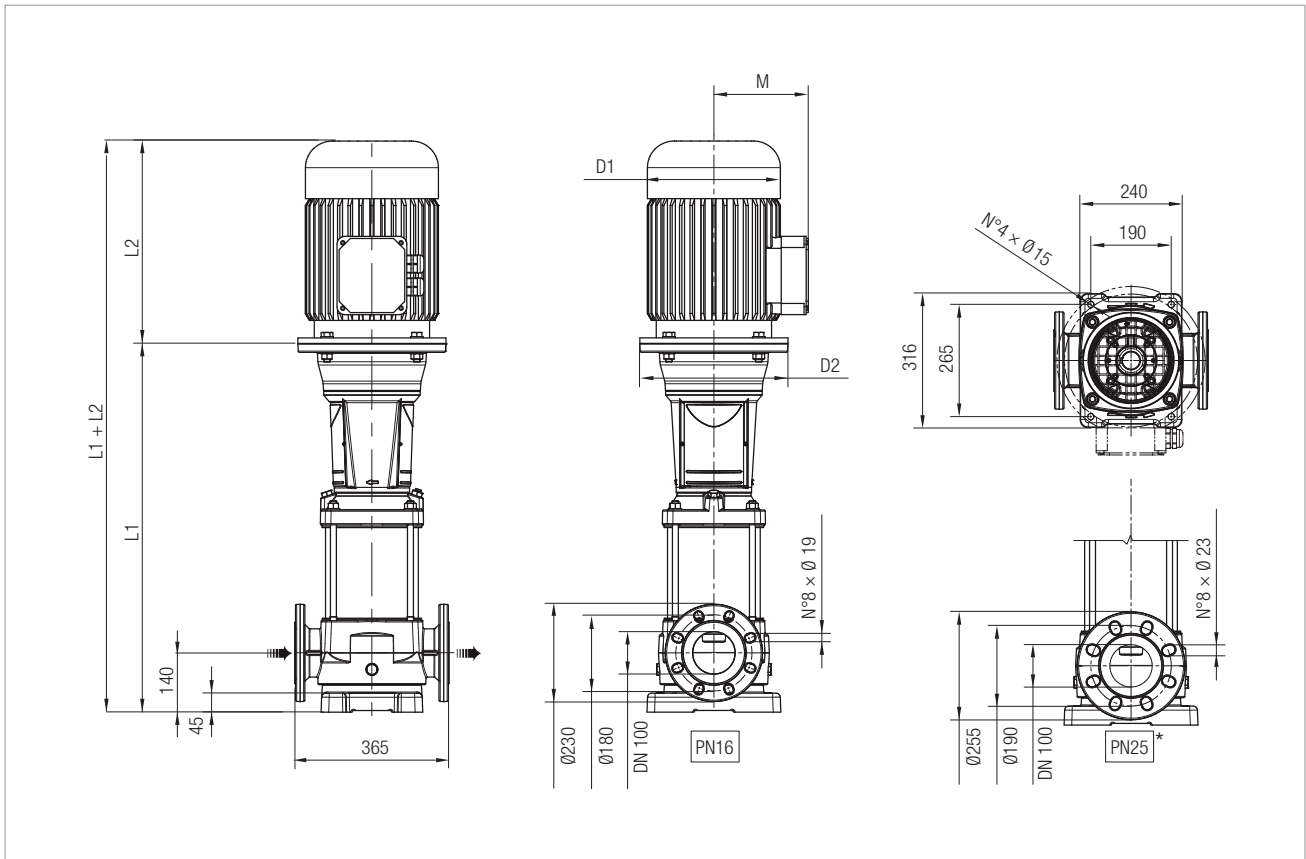


The performance curves are based on kinematic viscosity values = 1 mm²/s and density aequivalent to 1000 kg/m³. Tolerance of curves to ISO 9906.

| MODEL                            | VOLTAGE<br>50 Hz  | P2 NOMINAL |       | MEC |
|----------------------------------|-------------------|------------|-------|-----|
|                                  |                   | kW         | HP    |     |
| NKV 65/26-2 T 220-277/380-480/60 | 220-277/380-480 V | 15,00      | 20,00 | 160 |
| NKV 65/26-1 T 220-277/380-480/60 | 220-277/380-480 V | 18,50      | 25,00 | 160 |
| NKV 65/26 T 220-277/380-480/60   | 220-277/380-480 V | 22,00      | 30,00 | 180 |
| NKV 65/36-2 T 220-277/380-480/60 | 220-277/380-480 V | 22,00      | 30,00 | 180 |
| NKV 65/36 T 220-277/380-480/60   | 220-277/380-480 V | 30,00      | 40,00 | 200 |
| NKV 65/46-2 T 380-480D/60        | 380-480 V         | 37,00      | 50,00 | 200 |
| NKV 65/46 T 380-480D/60          | 380-480 V         | 45,00      | 60,00 | 225 |
| NKV 65/56-2 T 380-480D/60        | 380-480 V         | 45,00      | 60,00 | 225 |
| NKV 65/56-1 T 380-480D/60        | 380-480 V         | 45,00      | 60,00 | 225 |

# NKV 65 - MULTISTAGE CENTRIFUGAL ELECTRIC PUMPS WITH VERTICAL AXIS, FOR CIVIL AND INDUSTRIAL PRESSURIZATION UNITS

Liquid temperature range: from - 30°C to +120°C - Maximum working pressure: 25 bar (2500 kPa)

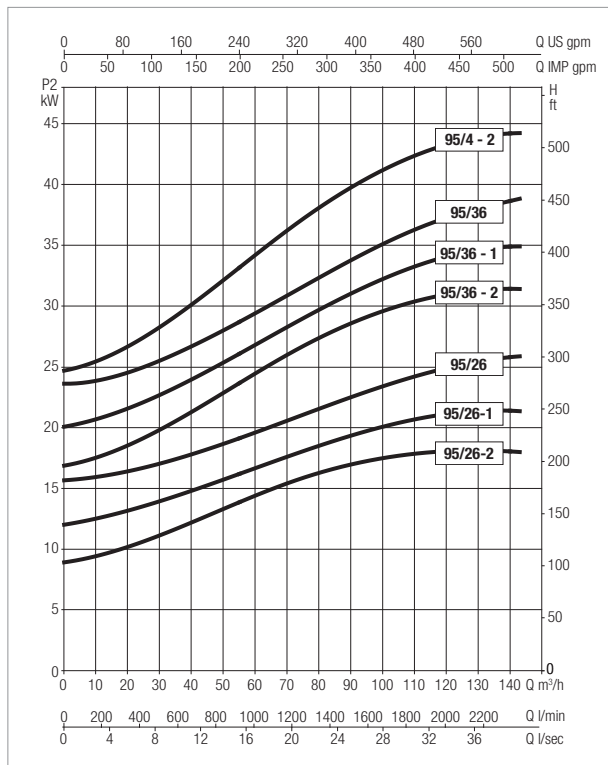
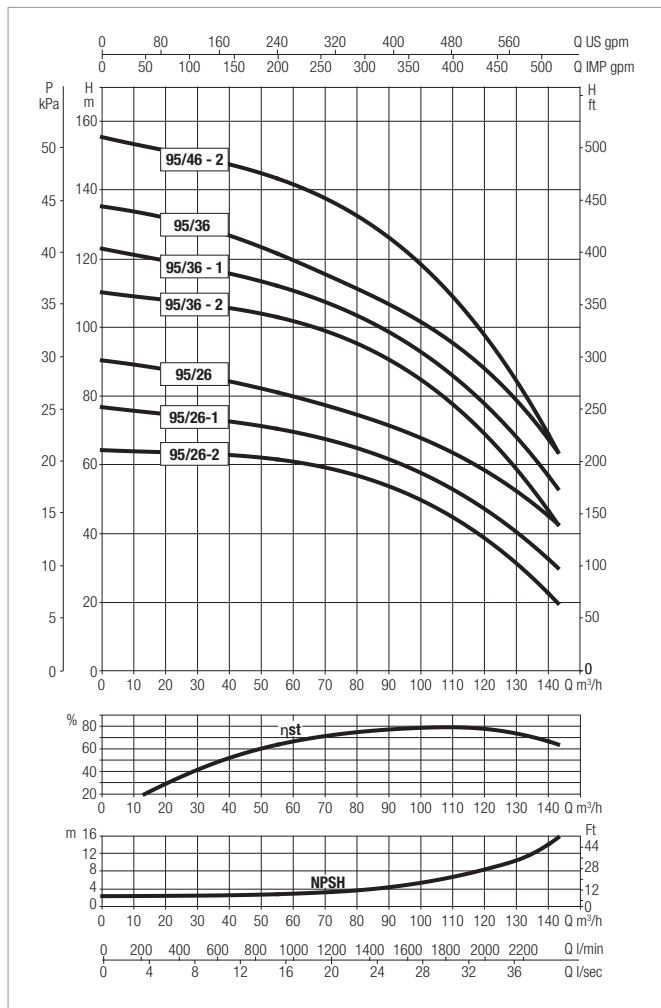


Version F: The pump is supplied without counter flanges (optional accessories, including joints and bolts).

| MODEL                            | DNA | DNM | L1<br>mm | L2<br>mm | M<br>mm | D1<br>mm | D2<br>mm | L1+L2<br>mm | H<br>mm | Interax<br>mm | WEIGHT<br>Kg |
|----------------------------------|-----|-----|----------|----------|---------|----------|----------|-------------|---------|---------------|--------------|
| NKV 65/26-2 T 220-277/380-480/60 | 100 | 100 | 849,2    | 476      | 198     | 248      | 350      | 1325,2      | 1325,2  | 365           | 152,5        |
| NKV 65/26-1 T 220-277/380-480/60 | 100 | 100 | 849,2    | 542      | 238     | 317      | 350      | 1391,2      | 1391,2  | 365           | 186,5        |
| NKV 65/26 T 220-277/380-480/60   | 100 | 100 | 849,2    | 542      | 238     | 317      | 350      | 1391,2      | 1391,2  | 365           | 198,0        |
| NKV 65/36-2 T 220-277/380-480/60 | 100 | 100 | 941,3    | 542      | 238     | 317      | 350      | 1483,3      | 1483,3  | 365           | 202,5        |
| NKV 65/36 T 220-277/380-480/60   | 100 | 100 | 946,3    | 658      | 300     | 399      | 400      | 1604,3      | 1604,3  | 365           | 324,5        |
| NKV 65/46-2 T 380-480D/60        | 100 | 100 | 1038,4   | 658      | 300     | 399      | 400      | 1696,4      | 1696,4  | 365           | 343,0        |
| NKV 65/46 T 380-480D/60          | 100 | 100 | 1038,4   | 699      | 335     | 465      | 450      | 1737,4      | 1737,4  | 365           | 412,0        |
| NKV 65/56-2 T 380-480D/60        | 100 | 100 | 1130,5   | 699      | 335     | 465      | 450      | 1829,5      | 1829,5  | 365           | 416,5        |
| NKV 65/56-1 T 380-480D/60        | 100 | 100 | 1130,5   | 699      | 335     | 465      | 450      | 1829,5      | 1829,5  | 365           | 416,5        |

# NKV 95 - MULTISTAGE CENTRIFUGAL ELECTRIC PUMPS WITH VERTICAL AXIS, FOR CIVIL AND INDUSTRIAL PRESSURIZATION UNITS

Liquid temperature range: from - 30°C to +120°C - Maximum working pressure: 25 bar (2500 kPa)

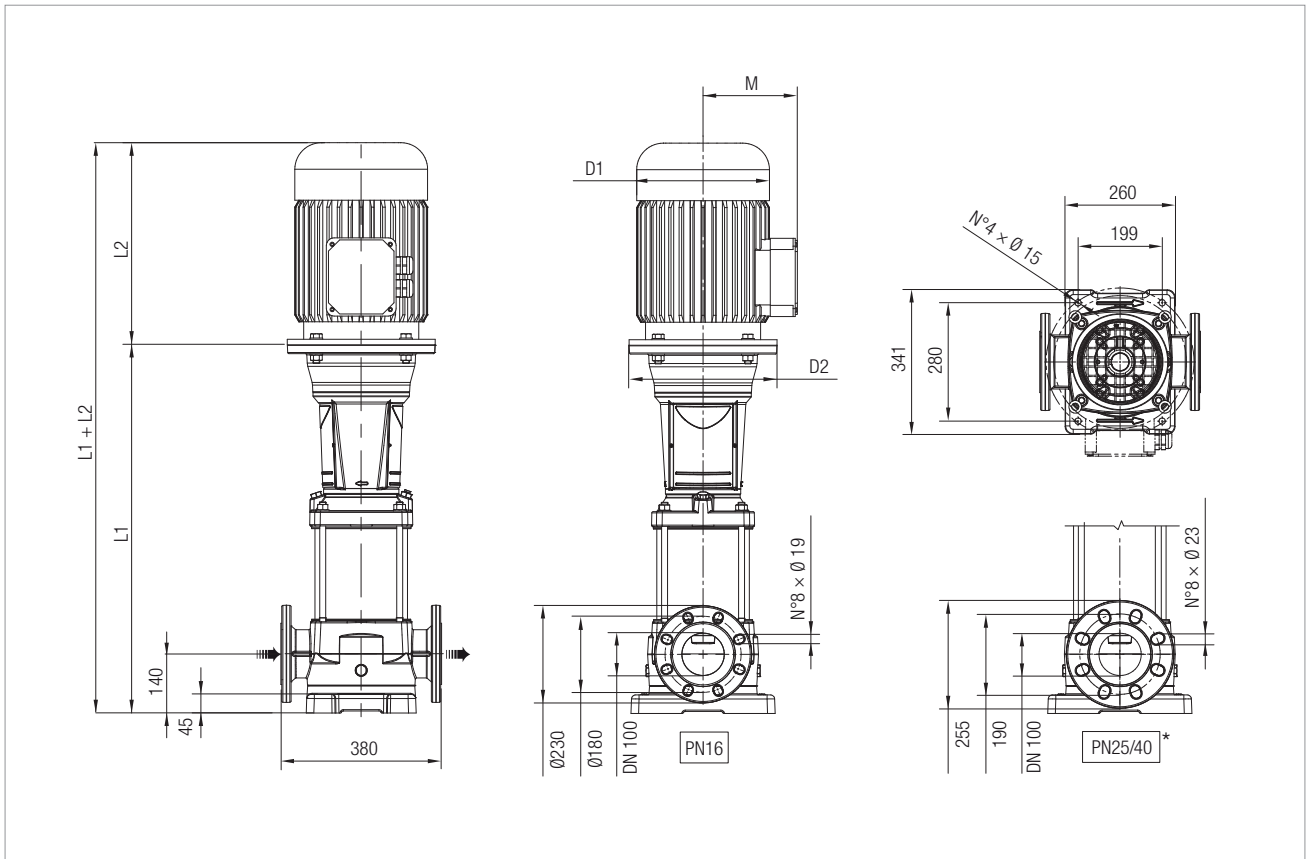


The performance curves are based on kinematic viscosity values = 1 mm<sup>2</sup>/s and density equivalent to 1000 kg/m<sup>3</sup>. Tolerance of curves to ISO 9906.

| MODEL                            | VOLTAGE<br>50 Hz  | P2 NOMINAL |       | MEC |
|----------------------------------|-------------------|------------|-------|-----|
|                                  |                   | KW         | HP    |     |
| NKV 95/26-2 T 220-277/380-480/60 | 220-277/380-480 V | 18,50      | 25,00 | 160 |
| NKV 95/26-1 T 220-277/380-480/60 | 220-277/380-480 V | 22,00      | 30,00 | 180 |
| NKV 95/26 T 220-277/380-480/60   | 220-277/380-480 V | 30,00      | 40,00 | 200 |
| NKV 95/36-2 T 380-480D/60        | 380-480 V         | 37,00      | 50,00 | 200 |
| NKV 95/36-1 T 380-480D/60        | 380-480 V         | 37,00      | 50,00 | 200 |
| NKV 95/36 T 380-480D/60          | 380-480 V         | 45,00      | 60,00 | 225 |
| NKV 95/46-2 T 380-480D/60        | 380-480 V         | 45,00      | 60,00 | 225 |

# NKV 95 - MULTISTAGE CENTRIFUGAL ELECTRIC PUMPS WITH VERTICAL AXIS, FOR CIVIL AND INDUSTRIAL PRESSURIZATION UNITS

Liquid temperature range: from - 30°C to +120°C - Maximum working pressure: 25 bar (2500 kPa)



Version F: The pump is supplied without counter flanges (optional accessories, including joints and bolts).

| MODEL                            | DNA | DNM | L1<br>mm | L2<br>mm | M<br>mm | D1<br>mm | D2<br>mm | L1+L2<br>mm | H<br>mm | Interax<br>mm | WEIGHT<br>Kg |
|----------------------------------|-----|-----|----------|----------|---------|----------|----------|-------------|---------|---------------|--------------|
| NKV 95/26-2 T 220-277/380-480/60 | 100 | 100 | 849,2    | 542      | 238     | 317      | 350      | 1391,2      | 1391,2  | 380           | 187,0        |
| NKV 95/26-1 T 220-277/380-480/60 | 100 | 100 | 849,2    | 542      | 238     | 317      | 350      | 1391,2      | 1391,2  | 380           | 198,5        |
| NKV 95/26 T 220-277/380-480/60   | 100 | 100 | 854,2    | 658      | 300     | 399      | 400      | 1512,2      | 1512,2  | 380           | 320,5        |
| NKV 95/36-2 T 380-480D/60        | 100 | 100 | 946,3    | 658      | 300     | 399      | 400      | 1604,3      | 1604,3  | 380           | 338,5        |
| NKV 95/36-1 T 380-480D/60        | 100 | 100 | 946,3    | 658      | 300     | 399      | 400      | 1604,3      | 1604,3  | 380           | 338,5        |
| NKV 95/36 T 380-480D/60          | 100 | 100 | 946,3    | 699      | 335     | 465      | 450      | 1645,3      | 1645,3  | 380           | 407,5        |
| NKV 95/46-2 T 380-480D/60        | 100 | 100 | 1038,4   | 699      | 335     | 465      | 450      | 1737,4      | 1737,4  | 380           | 411,0        |





# DAB

PUMPS SELECTOR



## On-line selection tool

 **DAB PUMPS LTD.**  
6 Gilbert Court  
Newcomen Way  
Severalls Business Park  
Colchester  
Essex  
CO4 9WN - UK  
[salesuk@dwtgroup.com](mailto:salesuk@dwtgroup.com)  
Tel. +44 0333 777 5010

 **DAB PUMPS IBERICA S.L.**  
Calle Verano 18-20-22  
28850 - Torrejón de Ardoz - Madrid  
Spain  
[Info.spain@dwtgroup.com](mailto:Info.spain@dwtgroup.com)  
Tel. +34 91 6569545  
Fax: +34 91 6569676

 **DAB PUMPS SOUTH AFRICA (PTY) LTD**  
Twenty One industrial Estate,  
16 Purlin Street, Unit B, Warehouse 4  
Olifantsfontein -1666 - South Africa  
[info.sa@dwtgroup.com](mailto:info.sa@dwtgroup.com)  
Tel. +27 12 361 3997

 **DAB PUMPS BV**  
"Hofveld 6 C1  
1702 Groot Bijgaarden - Belgium  
[info.belgium@dwtgroup.com](mailto:info.belgium@dwtgroup.com)  
Tel. +32 2 4668353

 **DAB PUMPS HUNGARY KFT.**  
H-8800  
Nagykanizsa, Buda Ernő u.5  
Hungary  
Tel. +36 93501700

 **DAB PUMPS (QINGDAO) CO. LTD.**  
No.40 Kaituo Road, Qingdao Economic & Technological  
Development Zone  
Qingdao City, Shandong Province - China  
PC: 266500  
[sales.cn@dwtgroup.com](mailto:sales.cn@dwtgroup.com)  
Tel. +86 400 186 8280  
Fax +86 53286812210

 **DAB PUMPS B.V.**  
Albert Einsteinweg, 4  
5151 DL Drunen - Nederland  
[info.netherlands@dwtgroup.com](mailto:info.netherlands@dwtgroup.com)  
Tel. +31 416 387280  
Fax +31 416 387299

 **DAB PUMPS POLAND Sp. z o.o.**  
Ul. Janka Muzykanta 60  
02-188 Warszawa - Poland  
[polska@dabpumps.com.pl](mailto:polska@dabpumps.com.pl)

 **DAB PUMPS DE MÉXICO, S.A. DE C.V.**  
Av Amsterdam 101 Local 4  
Col. Hipódromo Condesa,  
Del. Cuauhtémoc CP 06170  
Ciudad de México  
Tel. +52 55 6719 0493

 **DAB PUMPEN DEUTSCHLAND GmbH**  
Tackweg 11  
D - 47918 Tönisvorst - Germany  
[info.germany@dwtgroup.com](mailto:info.germany@dwtgroup.com)  
Tel. +49 2151 82136-0  
Fax +49 2151 82136-36

 **OOO DAB PUMPS**  
Novgorodskaya str. 1, block G  
office 308, 127247, Moscow - Russia  
[info.russia@dwtgroup.com](mailto:info.russia@dwtgroup.com)  
Tel. +7 495 122 0035  
Fax +7 495 122 0036

 **DAB PUMPS OCEANIA PTY LTD**  
426 South Gippsland Hwy,  
Dandenong South VIC 3175 - Australia  
[info.oceania@dwtgroup.com](mailto:info.oceania@dwtgroup.com)  
Tel. +61 1300 373 677

 **DAB PUMPS INC.**  
3226 Benchmark Drive  
Ladson, SC 29456 - USA  
[info.usa@dwtgroup.com](mailto:info.usa@dwtgroup.com)  
Tel. 1- 843-797-5002  
Fax 1-843-797-3366